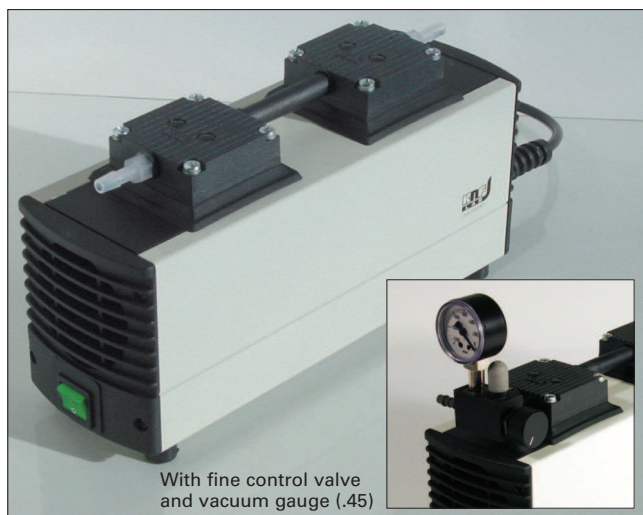




Diaphragm Pumps for Air, Gases and Vapours



LABOPOINT® Mini Diaphragm Vacuum Pumps

Technical features:

- 100% oil-free transfer
- Pure transferring and evacuation of gases
- Version for slightly aggressive or corrosive gases and vapours
- Maintenance-free
- Environmentally friendly
- High level of gas tightness.

Series LABOPOINT® N 816.3 K_.18 Pumps

Series N 816.3 diaphragm pumps are double-head, dry-running devices used in a wide range of laboratory applications. They transfer and pump down without contamination.

The heart of these very compact pumps is a KNF structured diaphragm. This patented diaphragm was stress-optimized using the Finite Elements method. As a result, we were able to make the pumps smaller while increasing the service life of the diaphragm.

The pumps are available in various versions differing in the materials which contact the media.

Material in contact with the pumped media

Type/Order No.	Pump head	Diaphragm	Valves
N 816.3 KN.18	PPS	EPDM	EPDM
N 816.3 KN.45.18	PPS	EPDM	EPDM
N 816.3 KT.18	PPS	PTFE-coated	FFPM
N 816.3 KT.45.18	PPS	PTFE-coated	FFPM

.45 = Pump with fine control valve and vacuum gauge

Technical data:

	N 816.3 KN.18 N 816.3 KN.45.18	N 816.3 KT.18 N 816.3 KT.45.18
--	-----------------------------------	-----------------------------------

Delivery (l/min) ¹⁾	16	16
Ultimate vacuum (mbar abs.)	15	20
Operating pressure (bar g)	0.5	0.5
Connectors for tube (mm)	ID 6	ID 6
Permissible gas and ambient temperature	+5...+40 °C	+5...+40 °C
Mains	230V/50Hz	230V/50Hz
Motor protection	IP 20	IP 20
Power P ₁	100 W	100 W
Operating current	0.6 A	0.6 A
Weight	3.95 kg	3.95 kg
Dimensions LxHxW (mm)	361/141/90	361/141/90
With thermal switch and power fuse		

Motors with other voltages and frequencies on request.

¹⁾ at atm. pressure

Accessories and spare parts

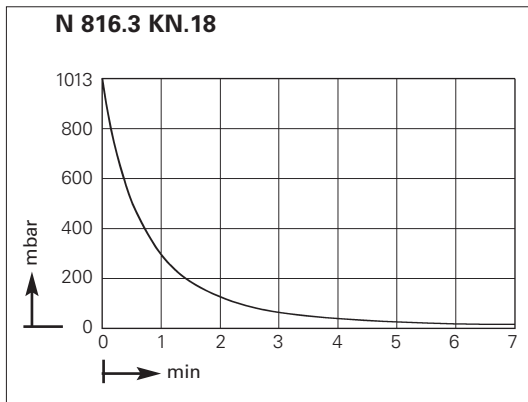
Description	Details	Order No.
Silencer	G 1/8	000345
Hose connector	G 1/8, PVDF, for tube ID 6 mm	014052
Fine control valve with vacuum gauge	suction side	056547
Spare kit	for N 816.3 KN	056315
Spare kit	for N 816.3 KT	056316



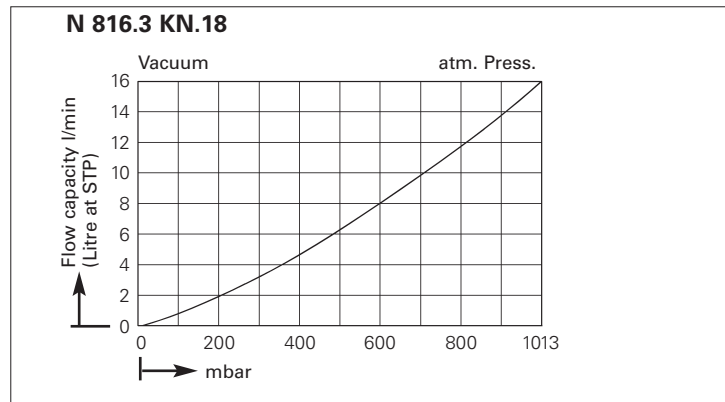
Diaphragm Pumps for Air, Gases and Vapours

Dimensions and performance characteristics

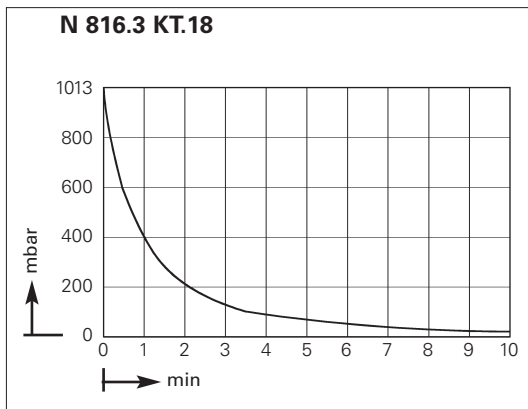
Pump down time for 10 l receiver



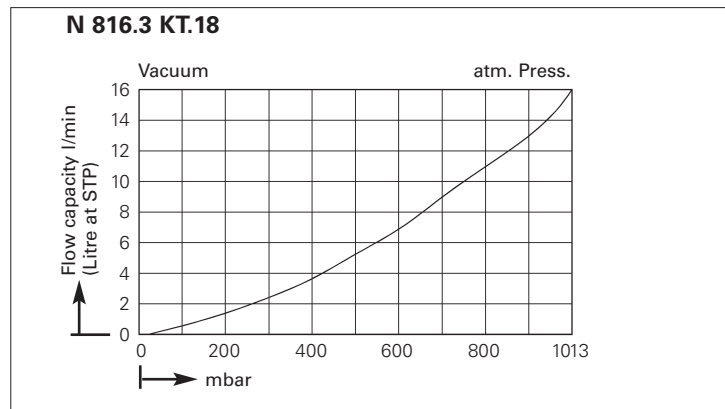
Performance characteristics



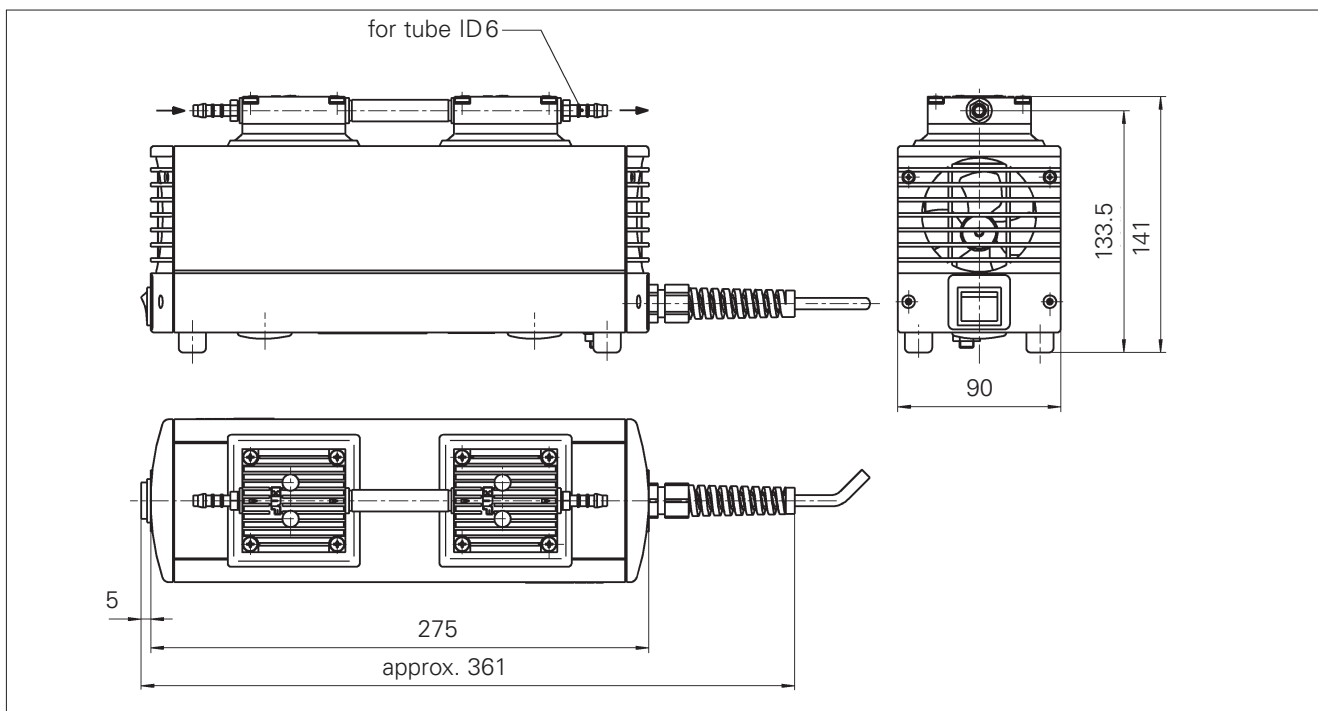
Pump down time for 10 l receiver



Performance characteristics



Dimensions (mm)



SALES CENTERS

Germany

KNF Neuberger GmbH
D-79112 Freiburg
Tel. +49 7664 5909 0
info@knf.de
www.knf.de

Benelux Netherlands

KNF Verder B.V.
NL-3451 GG Vleuten
Tel. +31 30 677 92 40
info@knf-verder.nl
www.knf-verder.nl

Benelux Belgium and Luxemburg

KNF Verder N.V.
B-2630 Aartselaar
Tel. +32 3 871 96 24
info@knf.be
www.knf.be

China

KNF Technology (Shanghai) Co., Ltd.
Shanghai 201203
Tel. +86 21 5109 9695
info@knf.com.cn
www.knf.com.cn

France, Morocco, Tunisia, Algeria

KNF Neuberger SAS
F-68128 Village-Neuf
Tel. +33 389 70 35 00
info@knf.fr
www.knf.fr

UK

KNF Neuberger U.K., Ltd.
Witney, Oxfordshire OX28 4FA
Tel. +44 1993 77 83 73
info@knf.co.uk
www.knf.co.uk

India

KNF Pumps + Systems (India) Pvt. Ltd.
Hinjewadi, Pune 411 057
Tel. +91 20 640 13 923
+91 20 640 08 923
info@knfpumps.in
www.knfpumps.in

Italy

KNF ITALIA S.r.l.
I-20063 Cernusco s. Naviglio MI
Tel. +39 02 272 03 860
info@knf.it
www.knf.it

Japan

KNF Japan Co.Ltd.
Tokyo 104-0033
Tel. +81 3 3551 7931
info@knf.co.jp
www.knf.co.jp

Korea

KNF Neuberger Ltd.
135-502, Seoul
Tel. +82 2 959 0255
knf@knfkorea.com
www.knfkorea.com

Sweden, Finland, Denmark, Norway

KNF Neuberger AB
SE-11743 Stockholm
Tel. +46 8 744 51 13
info@knf.se
www.knf.se

Switzerland

KNF Neuberger AG
CH-8362 Balterswil
Tel. +41 71 973 99 30
knf@knf.ch
www.knf.ch

Taiwan

KNF Neuberger Ltd.
Taipei City, 11490
Tel. +886 2 2794 1011
knftwn@knftwn.com.tw
www.knftwn.com.tw

USA, Canada

KNF Neuberger, Inc.
Trenton, New Jersey 08691-1810
Tel. +1 609 890 8600
knfusa@knf.com
www.knfusa.com

Latin America

Tel. +1 609 649 1010
gb@knf.com
www.knf.com/es