

DIAPHRAGM VACUUM PUMP LABOPORT® N 816.3 KT.18



Technical features

- 100 % oil-free transfer – thereby pure transferring, evacuation and compression of gases
- PTFE-coated diaphragm is ideal for aggressive/ corrosive gases and vapors
- Environmentally friendly
- High level of gas tightness

Technical data

Flow rate [m ³ /h] at atm. pressure	0.96
Flow rate [l/min] at atm. pressure	16
Ultimate vacuum [mbar abs.]	20
Operating pressure [bar]	0.5
Voltage [V]	230
Frequencies [Hz]	50
Motor protection	IP 20
Power P ₁ [W]	100
Operating current [A]	0.6
With thermal switch and power fuse	
Motors with other voltages and frequencies on request	

MATERIALS

Pump head	PPS
Diaphragm	PTFE-coated
Valves	FFPM

OTHER DATA

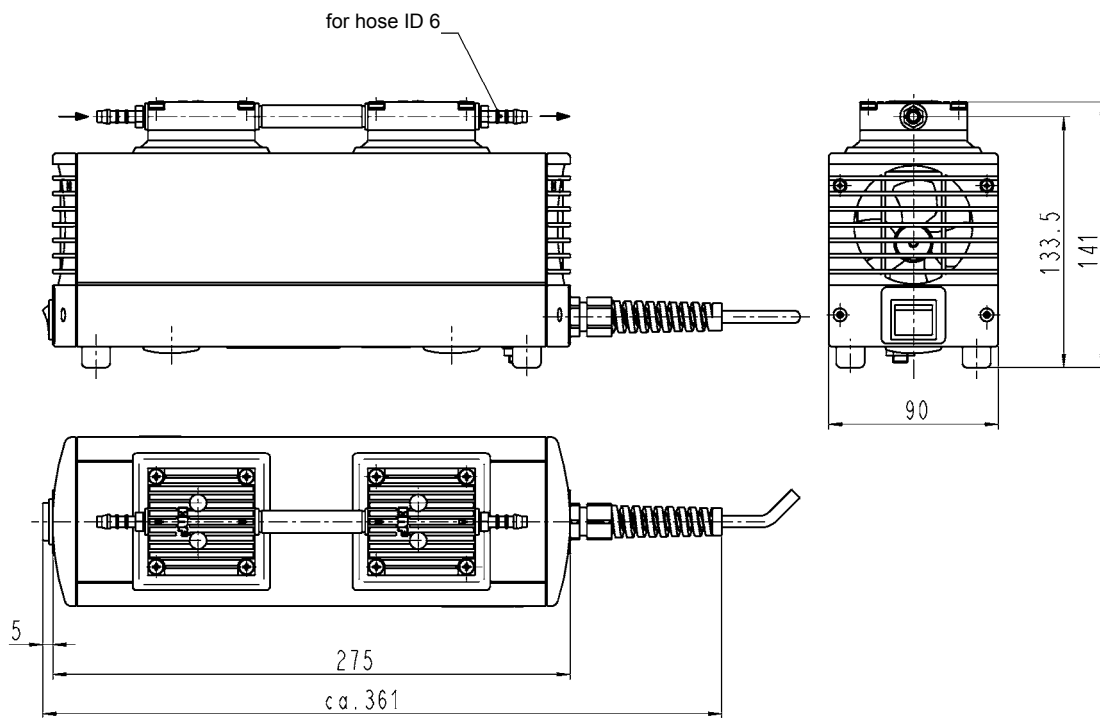
Weight [kg]	3.95
Hose connections	ID 6
Dimensions W x H x D [mm]	90 x 141 x 361
Permissible media and ambient temperature [°C]	+5 ... +40

ACCESSORIES

	ID
Silencer	000345
Hose connector G 1/8, ID 6, PVDF	123363
G 1/8, ID 6, PA	000360
G 1/8, ID 8, PA	004975
Fine control valve with vacuum gauge	057830
Spares kit	056316

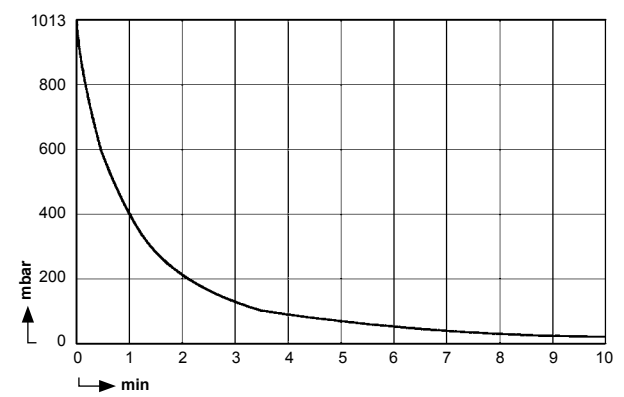
Dimensions

N 816.3 KT.18



Performance characteristics

PUMP DOWN TIME FOR 10 LITER VESSEL



FLOW CAPACITY

