



## Diaphragm Pumps for Air, Gases and Vapours



### LABOPORT® Diaphragm Vacuum Pumps

#### Technical features:

- 100% oil-free transfer
- Pure transferring and evacuation of gases
- Highly compatible with vapours and condensation
- Version for slightly aggressive or corrosive gases and vapours
- Maintenance-free
- Environmentally friendly
- Gastight, leakage rate approx.  $6 \times 10^{-3}$  mbar x l/s, not tested in serial production.

### Series LABOPORT® N 820.3 A\_.18 Pumps

Series N 820.3 diaphragm pumps are double-head, dry-running devices used in a wide range of laboratory applications. They transfer and pump down without contamination.

The heart of these very compact pumps is a KNF structured diaphragm. This patented diaphragm was stress-optimized using the Finite Elements method. As a result, we were able to make the pumps smaller while increasing the service life of the diaphragm.

The pumps are available in various versions differing in the materials which contact the media.

#### Technical data:

	N 820.3 AN.18	N 820.3 AT.18
Delivery (l/min) <sup>1)</sup>	22	20
Ultimate vacuum (mbar abs.)	8	8
Operating pressure (bar g)	1	1
Connectors for tube (mm)	ID 9	ID 9
Permissible gas and ambient temperature	+5...+40 °C	+5...+40 °C
Mains	230V/50Hz	230V/50Hz
Motor protection	IP 44	IP 44
Power P <sub>1</sub>	120 W	120 W
Operating current	0.7 A	0.7 A
Weight	9.3 kg	9.3 kg
Dimensions LxHxW (mm)	304/204/110	304/204/110
With thermal switch and power fuse		

Motors with other voltages and frequencies on request.

<sup>1)</sup> at atm. pressure

#### Material in contact with the pumped media

Type/Order No.	Pump head	Diaphragm	Valves
N 820.3 AN.18	Aluminium	CR	NBR
N 820.3 AT.18	Aluminium	PTFE-coated	FFPM

### Accessories and spare parts

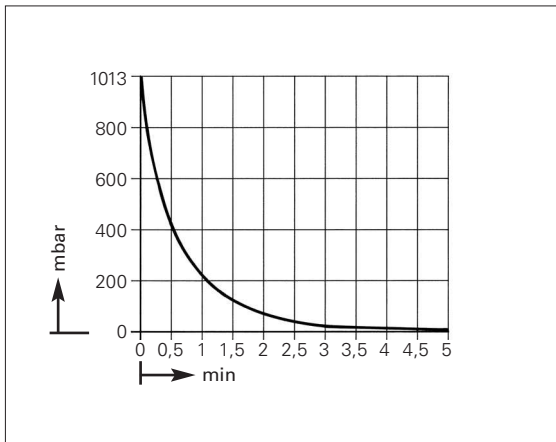
Description	Details	Order No.
Silencer	G 1/4	007007
Hose connector	G 1/4, PVDF, for tube ID 10 mm	004658
Spares kit	for N 820.3 AN.18	058080
Spares kit	for N 820.3 AT.18	057358



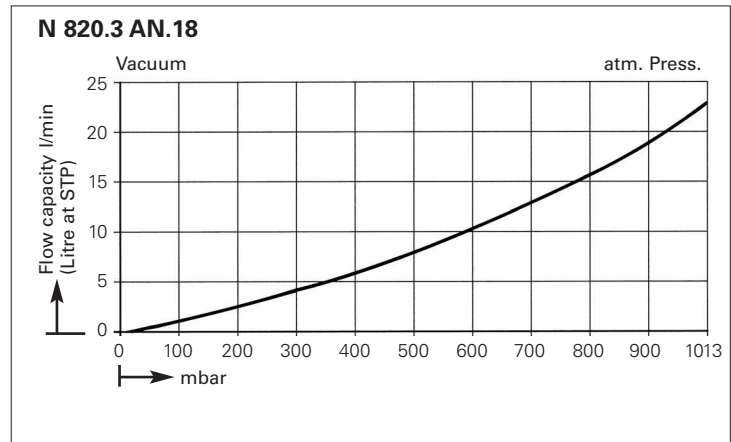
# Diaphragm Pumps for Air, Gases and Vapours

## Dimensions and performance characteristics

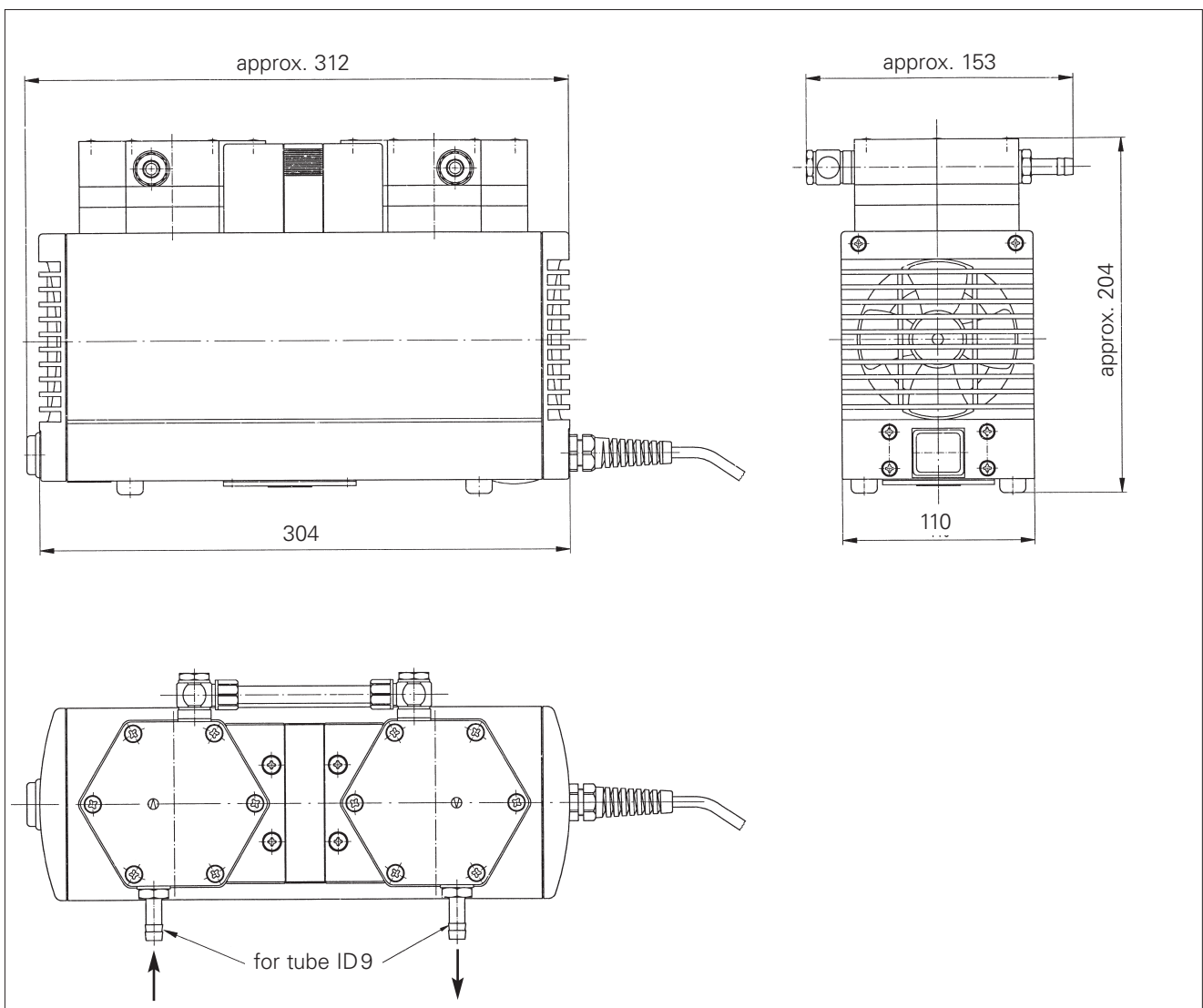
Pump down time for 10 l receiver



Performance characteristics



Dimensions (mm)



## SALES CENTERS

### **Germany**

KNF Neuberger GmbH  
D-79112 Freiburg  
Tel. +49 7664 5909 0  
info@knf.de  
www.knf.de

### **Benelux Netherlands**

KNF Verder B.V.  
NL-3451 GG Vleuten  
Tel. +31 30 677 92 40  
info@knf-verder.nl  
www.knf-verder.nl

### **Benelux Belgium and Luxemburg**

KNF Verder N.V.  
B-2630 Aartselaar  
Tel. +32 3 871 96 24  
info@knf.be  
www.knf.be

### **China**

KNF Technology (Shanghai) Co., Ltd.  
Shanghai 201203  
Tel. +86 21 5109 9695  
info@knf.com.cn  
www.knf.com.cn

### **France, Morocco, Tunisia, Algeria**

KNF Neuberger SAS  
F-68128 Village-Neuf  
Tel. +33 389 70 35 00  
info@knf.fr  
www.knf.fr

### **UK**

KNF Neuberger U.K., Ltd.  
Witney, Oxfordshire OX28 4FA  
Tel. +44 1993 77 83 73  
info@knf.co.uk  
www.knf.co.uk

### **India**

KNF Pumps + Systems (India) Pvt. Ltd.  
Hinjewadi, Pune 411 057  
Tel. +91 20 640 13 923  
+91 20 640 08 923  
info@knfpumps.in  
www.knfpumps.in

### **Italy**

KNF ITALIA S.r.l.  
I-20063 Cernusco s. Naviglio MI  
Tel. +39 02 272 03 860  
info@knf.it  
www.knf.it

### **Japan**

KNF Japan Co.Ltd.  
Tokyo 104-0033  
Tel. +81 3 3551 7931  
info@knf.co.jp  
www.knf.co.jp

### **Korea**

KNF Neuberger Ltd.  
135-502, Seoul  
Tel. +82 2 959 0255  
knf@knfkorea.com  
www.knfkorea.com

### **Sweden, Finland, Denmark, Norway**

KNF Neuberger AB  
SE-11743 Stockholm  
Tel. +46 8 744 51 13  
info@knf.se  
www.knf.se

### **Switzerland**

KNF Neuberger AG  
CH-8362 Balterswil  
Tel. +41 71 973 99 30  
knf@knf.ch  
www.knf.ch

### **Taiwan**

KNF Neuberger Ltd.  
Taipei City, 11490  
Tel. +886 2 2794 1011  
knftwn@knftwn.com.tw  
www.knftwn.com.tw

### **USA, Canada**

KNF Neuberger, Inc.  
Trenton, New Jersey 08691-1810  
Tel. +1 609 890 8600  
knfusa@knf.com  
www.knfusa.com

### **Latin America**

Tel. +1 609 649 1010  
gb@knf.com  
www.knf.com/es