

ACTIVE WIDE RANGE GAUGE (WRG)

edwardsvacuum.com

The Active Wide Range Gauge (WRG) family offers the capability of single port pressure measurement in the range atmosphere to 10^{-9} mbar with a linear output.

It is a compact solution, halving the space and connectivity hardware requirement, which can be all important in many applications. The WRG has many novel features, including a new striker, push-button calibration and set point controls and comprehensive diagnostics. The WRG is a cost-effective vacuum management solution when used either with an Edwards controller or directly integrated into the system controls.

This gauge is particularly suited to monitoring the pressure on systems that are rapidly pumped down from atmosphere pressure to high vacuum levels.

For applications that require extended pressure monitoring in the 10^{-2} to 10^{-4} mbar range Edwards recommends using separate Active Pirani (APG100) and Active Inverted Magnetron (AIMX) gauges.



Features and benefits

- Single push-button atmosphere setting
- Ultra compact, featuring recessed electrical connector
- Easy service; both Pirani and magnetron elements are individually replaceable
- Low magnetic field version (SL) available for particularly sensitive applications e.g. mass spectrometry and microscopy
- Comprehensive failure mode diagnostics facility
- Compatible with Edwards TIC, TAG and ADC controllers
- D-type version including cable strain relief and enhanced ingress protection (IP44)
- Magnetron uses an advanced technique for highly reliable striking, even at high vacuum or in relatively contaminated conditions
- Automatic vacuum setting of Pirani gauge element
- Easily programmed set point covering entire measuring range
- Extended service intervals and gauge lifetime, through reduction of HT voltage after ignition and low discharge current
- Microprocessor signal processing gives seamless transition between Pirani and magnetron outputs as well as linear output (log pressure scale)

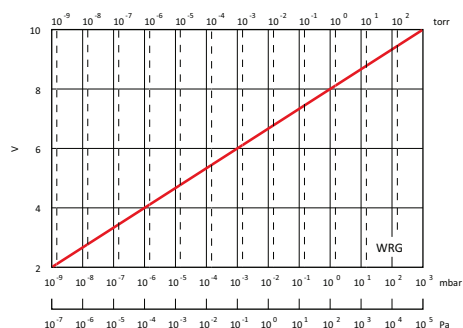
Technical data

Pressure range	Atmosphere to 10 ⁻⁹ mbar/Torr
Accuracy*	Typically ±15% <100 mbar and ±30% <10 ⁻³ mbar
Maximum overpressure	6 bar absolute (87 psia)
Power supply	+ 14.5 to + 36 V d.c.
Power consumption	2 W maximum
Output signal	1.8 to 10.2 V d.c.
Adjustments	Atmosphere and setpoint
Set point	Open collector transistor
Maximum voltage	40 V d.c.
Current	100 mA max
Temperature range	
Operating	+ 5 to + 60 °C
Storage temperature	+ 0 to + 70 °C
Materials exposed to vacuum - all models	Stainless steel (AISI 304, 316, 321, 347), Fluoroelastomer, soda lime glass, Tungsten
Internal volume	26 cm ³
Weight	0.8 kg

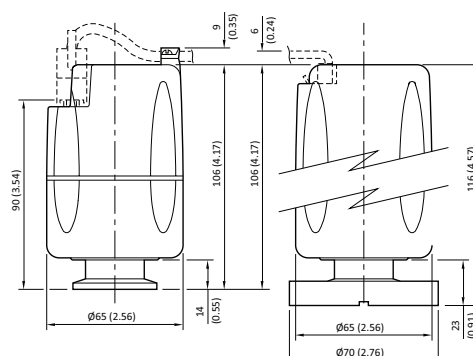
External interface connectors	
'S', 'SL' and 'CF' versions	8 way FCC68/RJ45 socket
'D' version	9 way D-type plug (pins)
Interface cables	
'S', 'SL' and 'CF' versions	Use range of active gauge cables
'D' version	To be supplied by customer (special adaptor cable available)
Vacuum fitting	NW25 and DN40CF
Standards	
Electromagnetic compatibility	EN 61326 Industrial Location, Class B Emissions
Enclosure rating	
'S' and 'SL' versions	IP 40
'D' version	IP 44

* Accuracy is reduced at the limits of the measuring range

Gauge output



Dimensions - mm (inch)



Ordering information

Product description	Order no.
WRG-S-NW25	D14701000
WRG-S-DN40CF	D14703000
WRG-SL-NW25	D14711000
WRG-D-NW25	D14702000

Product description	Order no.
Electronics and magnet housing	
WRG-S	D14701800
WRG-SL	D14711800
WRG-D	D14702800

Product description	Order no.
Replacement body tube assembly	
NW25	D14701801
DN40CF	D14703801
Electrode assembly kit	D14701802
Pirani tube replacement kit	D14701803
Full body tube service kit	D14701804

Gauges can be supplied with a calibration certificate traceable to national standards. For accessories, supporting products and kits please contact Edwards or visit our website.

GLOBAL CONTACTS

Publication Number: 3601 0236 01
© Edwards Limited 2016. All rights reserved Edwards and the Edwards logo are trademarks of Edwards Limited

Whilst we make every effort to ensure that we accurately describe our products and services, we give no guarantee as to the accuracy or completeness of any information provided in this datasheet.

Edwards Ltd, registered in England and Wales
No. 6124750, registered office: Innovation Drive, Burgess Hill, West Sussex, RH15 9TW, UK.

EMEA	
UK	+44 1444 253 000 (local rate) 08459 212223
Belgium	+32 2 300 0730
France	+33 1 4121 1256
Germany	0800 000 1456
Italy	+ 39 02 48 4471
Israel	+ 972 8 681 0633

ASIA PACIFIC	
China	+86 400 111 9618
India	+91 20 4075 2222
Japan	+81 47 458 8836
Korea	+82 31 716 7070
Singapore	+65 6546 8408
Taiwan	+886 3758 1000

AMERICAS	
USA	+1 800 848 9800
Brazil	+55 11 3952 5000

