

# SPEEDIVALVE

edwardsvacuum.com

Edwards SP Speedivalves are diaphragm sealed in-line, isolation valves. The construction consists essentially of a flexible elastomeric diaphragm which is sealed onto a lightly polished seat by a screw thread mechanism. The mechanism is isolated from the system by the diaphragm resulting in an extremely rugged and 'dirty' system tolerant valve.

The valve terminates in NW flanges and can be pipeline supported or panel mounted. (SP40K is pipeline supported only).



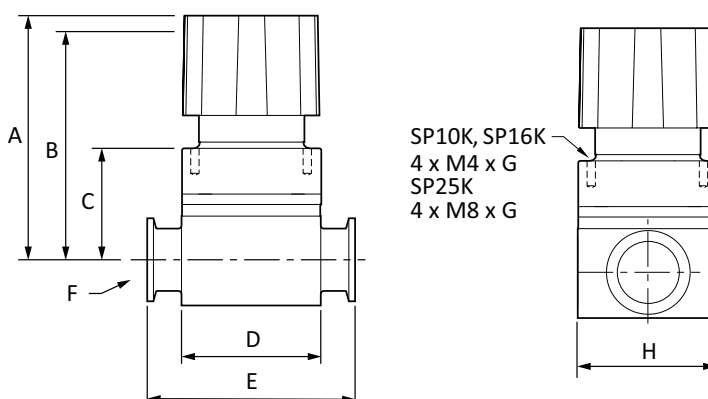
## Features and benefits

- Easy to operate with visual indication of valve open (SP10K to SP25K).
- Leak tight to better than  $10^{-6}$  mbar  $l s^{-1}$  /  $8 \times 10^{-7}$  Torr  $l s^{-1}$ .
- Diaphragm completely isolates mechanism from vacuum system.
- Extremely rugged and 'dirty' system tolerant.
- Will withstand 9 bar overpressure (SP10K to SP40K, with co-seal).

## Technical data

	Speedivalve
<b>Construction materials</b>	
Body	Aluminium alloy to BS1490
Hand wheel and bonnet	Glass reinforced plastics
Diaphragms	Nitrile or Fluoroelastomer
<b>Leak rate (1 bar / 14.5 psi differential)</b>	
Valve (overall and across seat)	6 mbar ls <sup>-1</sup> x 10 <sup>-7</sup> Torr ls <sup>-1</sup>
Coupling	10-7 mbar ls <sup>-1</sup> x 10 <sup>-8</sup> Torr ls <sup>-1</sup>
<b>Molecular conductance</b>	
SP10K, SP16K	1.7 ls <sup>-1</sup>
SP25K	9.0 ls <sup>-1</sup>
SP40K	23.3 ls <sup>-1</sup>
<b>Pressure rating using co-seal</b>	9 bar / 131 psi
<b>Ambient operating range</b>	0 to 40°C
<b>Ambient storage range</b>	-10 to 40°C
<b>Panel thickness</b>	3 mm / 0.117 in maximum
<b>Weight</b>	
SP10K	230 g / 8.1 oz
SP16K	240 g / 8.4 oz
SP25K	760 g / 26.6 oz
SP40K	2300 g / 80.5 oz
<b>Baking temperature</b>	60°C

## Dimensions



	A	B	C	D	E	F	G	H
Model	Open	Closed						
SP10K	71	64	33.5	42	60	NW10	8	43
SP16K	71	64	33.5	42	80	NW16	8	43
SP25K	123	111	51	67	100	NW25	12	72
SP40K	130	-	-	105	130	NW40	-	96

## Ordering information

Product description	Order number
SP10K, Nitrile Diaphragm	C33105000
SP10K, Fluoroelastomer Diaphragm	C33155000
SP16K, Nitrile Diaphragm	C33205000
SP16K, Fluoroelastomer Diaphragm	C33255000
SP25K, Nitrile Diaphragm	C33305000
SP25K, Fluoroelastomer Diaphragm	C33355000
SP40K, Nitrile Diaphragm	C33405000
SP40K, Fluoroelastomer Diaphragm	C33455000

Product description	Order number
<b>Replacement Fluoroelastomer Diaphragms</b>	
Fluoroelastomer Diaphragm for SP10/16	C33155800
Fluoroelastomer Diaphragm for SP25	C33355800
Fluoroelastomer Diaphragm for SP40	C33455800
<b>Replacement Nitrile Diaphragms</b>	
Nitrile Diaphragm for SP10/16	C33105800
Nitrile Diaphragm for SP25	C33305800
Nitrile Diaphragm for SP40	C33405800

## GLOBAL CONTACTS

Publication Number: 3601 0580 01

© Edwards Limited 2020. All rights reserved.  
Edwards and the Edwards logo are trademarks of Edwards Limited.

Whilst we make every effort to ensure that we accurately describe our products and services, we give no guarantee as to the accuracy or completeness of any information provided in this datasheet.

Edwards Ltd, registered in England and Wales  
No. 6124750, registered office: Innovation Drive,  
Burgess Hill, West Sussex, RH15 9TW, UK.

### EMEA

<b>UK</b>	+44 1444 253 000 (local rate) 08459 212223
<b>Belgium</b>	+32 2 300 0730
<b>France</b>	+33 1 4121 1256
<b>Germany</b>	0800 000 1456
<b>Italy</b>	+ 39 02 48 4471
<b>Israel</b>	+ 972 8 681 0633

### ASIA PACIFIC

<b>China</b>	+86 400 111 9618
<b>India</b>	+91 20 4075 2222
<b>Japan</b>	+81 47 458 8836
<b>Korea</b>	+82 31 716 7070
<b>Singapore</b>	+65 6546 8408
<b>Taiwan</b>	+886 3758 1000

### AMERICAS

<b>USA</b>	+1 800 848 9800
<b>Brazil</b>	+55 11 3952 5000

