



VIEWPORTS

Viewports are plane parallel windows hermetically-sealed to stainless steel mounts such as: Weld adapter (-W), Quick Flange (-QF) or Conflat Flange (-CF). These assemblies are specifically designed to conveniently port the transmission of electromagnetic radiation into and/or out of sealed systems. Several standard material options are offered covering various common transmission ranges and applications. Optical coatings are available to enhance and optimize viewport transmission. Narrow and broad band anti-reflective coatings are offered standard. All viewports are UHV compatible.

Other mounting options as well as non-standard materials, coatings and optical features may be customized to meet specific applications.

Sapphire and Fused Silica

MPF manufactures Sapphire and Fused Silica viewports using proprietary vacuum brazing and welding techniques. Sapphire viewports are available with view diameters up to 3 inches, and are bakeable to 450°C. Single crystal, sapphire windows, with either 0° or 90° orientation, offer excellent transmission from 250 nm to 4 microns.

Fused Silica viewport designs are available with diameters up to 8 inches and include zero length designs for low profile applications. These are all bakeable to 200°C. Several standard grades of Fused Silica windows are offered having excellent transmission from 193nm to 2 microns.

Coated Fused Silica

MPF offers a full line of tailored laser viewports designed specifically for a variety of popular high-power lasers. These viewports utilize optimum window and anti-reflective coating specifications to maximize performance at specific wavelengths. Supported wavelengths and laser applications are: 193nm-ArF Excimer, 248nm-KrF Excimer, 780nm-Diode and 1064nm YAG.

Extended Range Vacuum Optics

These ultra-high vacuum (UHV) viewports employ window materials such as Zinc Selenide, Magnesium Fluoride and Calcium Fluoride. All-metal-sealed, extended-range optics are available in 1 inch and 2 inch view diameters with a combined transmission range of 120nm to 20 microns.

Coatings which enhance the transmission performance of many of these viewports are offered as standard options. Many non-standard materials, coatings and optical specifications may be reviewed and quoted to meet custom application requirements.

Specialized Optics

See page 15 for more information on differentially pumped, non-magnetic, and re-entrant viewports.





VIEWPORT TYPE	NOMINAL VIEW DIAMETER	TRANSMISSION RANGE	THERMAL RATING	SECTION PAGES
Sapphire	.38" to 3"	0.17 microns to 5 microns	Window: -100 to 450°C	1.1 4 - 7
Fused Silica	.75" to 8"	0.18 microns to 3.5 microns	Window: -100 to 200°C	1.2 8 - 11
BBAR Coated Fused Silica	1.5" to 2.5"	225nm to 450nm 425nm to 760nm 550nm to 1100nm	Window: -100 to 200°C	1.3 12
Laser Optics	1.5" to 2.5"	193, 248, 780 and 1064 nm	Window: -100 to 200°C	1.4 13
Extended Range Optics	1.0" to 2.0"	0.13 microns to 18 microns	Window: -100 to 200°C	1.5 14
Specialized Optics	1.0" to 2.5"	See pages 16-18	See pages 16-18	1.6 15 - 18

MPF Custom Optics Capabilities

Beyond its' extensive offering of standard optical products, MPF has custom design and manufacturing expertise and is capable of manufacturing hermetically-sealed, opto-mechanical assemblies that meet most combinations of customer specified form, fit and function. Non-magnetic, RoHS compliant, elevated pressure and temperature options are available for all window materials. Mounting size, design, and construction material as well as view diameter and location may be customer specified. Rigorous dimensional tolerances are available for all optical designs.

MPF also offers custom coating capabilities including single band, multi-band, broadband and specialty coatings on various materials. A design library of field-tested and proven sealed optical assemblies exists for an extensive list of optical materials (including many fluorides, oxides and semiconductor materials – both with and without optical coatings).

The optical finish (surface polish, flatness, parallelism, clear aperture, wedge angle, focal length, and thickness) may also be tailored to specific optical needs.



VIEWPORTS

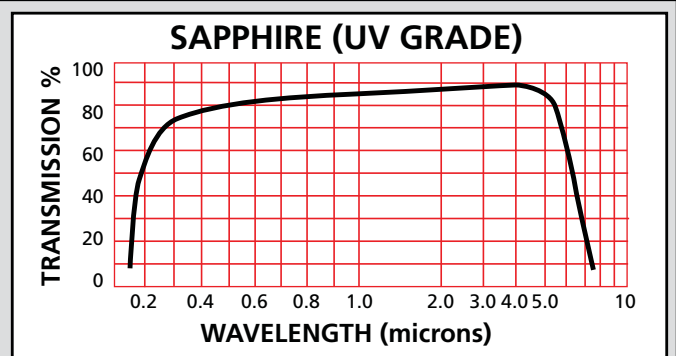
Sapphire

UV SAPPHIRE

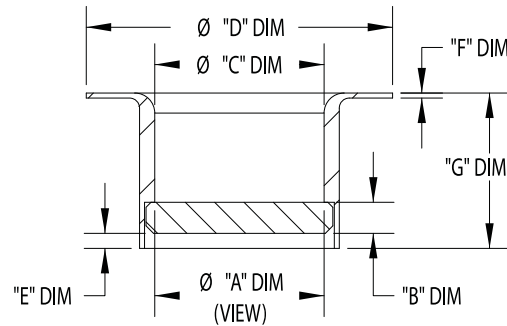
Leak Rate: <math><2 \times 10^{-10}</math> atm cc/sec He
 Parallelism: <math><3</math> Arc Minutes
 Flange Material: 304/316 Stn. Stl.
 Surface Finish: 50/20
 Thermal Range: -100°C to 450°C
 Material: Sapphire
 UV Transmission: 50% @ 250nm (external)
 Orientation: 0-90°
 Pressure: Contact MPF Engineering

Operating Conditions

The thermal ratings specified are safe operating limits determined by various factors including material properties, mechanical design, and the intended operating environment. Temperature ratings for various mounting options may reduce the operating range of a window assembly. All assemblies have a maximum thermal gradient of 25°C per minute and may be damaged if this limit is exceeded.

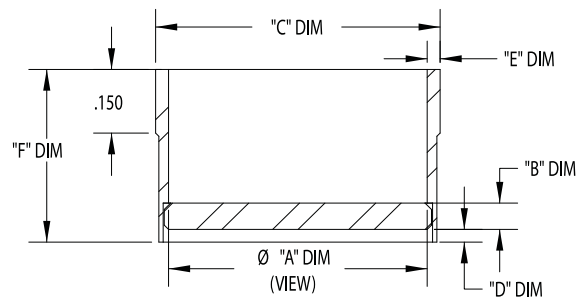


WELDABLE



SLEEVE	Ø "A" DIM (VIEW)	B	C	D	E	F	G	PART #	PRICE
Kovar	.34	.062	.38	.615	.030	.010	.31	A0711-1-W	\$140
Kovar	.46	.062	.51	.740	.030	.010	.31	A0711-2-W	\$165

WELDABLE



SLEEVE	Ø "A" DIM (VIEW)	B	C	D	E	F	PART #	PRICE
Kovar	.59	.062	.66	.030	.030	.43	A0629-1-W	\$165

VIEWPORTS

Sapphire

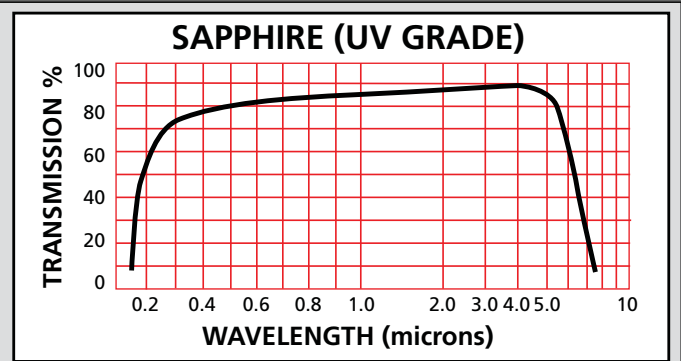


UV SAPPHIRE

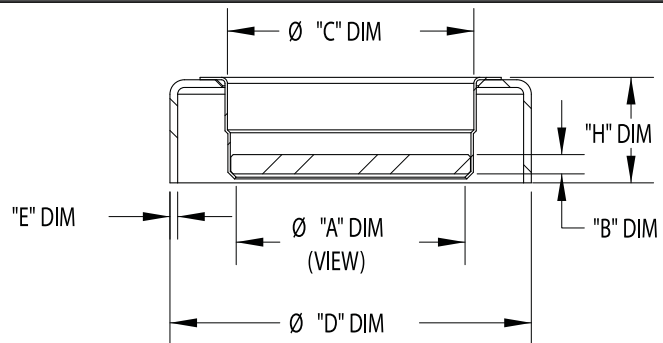
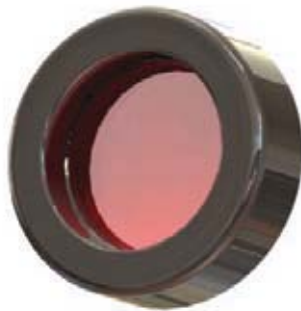
Leak Rate: <math><2 \times 10^{-10}</math> atm cc/sec He
 Parallelism: <math><3</math> Arc Minutes
 Flange Material: 304/316 Stn. Stl.
 Surface Finish: 50/20
 Thermal Range: -100°C to 450°C
 Material: Sapphire
 UV Transmission: 50% @ 250nm (external)
 Orientation: 0-90°
 Pressure: Contact MPF Engineering

Operating Conditions

The thermal ratings specified are safe operating limits determined by various factors including material properties, mechanical design, and the intended operating environment. Temperature ratings for various mounting options may reduce the operating range of a window assembly. All assemblies have a maximum thermal gradient of 25°C per minute and may be damaged if this limit is exceeded.

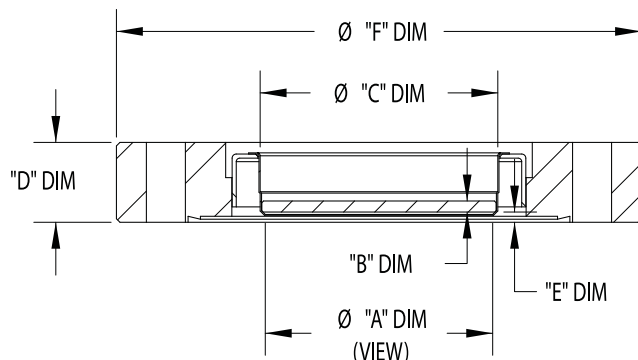


WELDABLE



ADAPTER	Ø "A" DIM (VIEW)	B	C	D	E	H	PART #	PRICE
STN. STL.	.69	.080	.77	1.500	.030	.44	A0633-1-W	\$210
STN. STL.	.94	.080	1.02	1.500	.030	.44	A0633-2-W	\$235
STN. STL.	1.44	.080	1.52	2.500	.030	.49	A0633-3-W	\$520
STN. STL.	1.94	.094	2.02	2.500	.030	.54	A0633-4-W	\$550
STN. STL.	2.95	.125	3.02	3.500	.030	.55	A1679-1-W	\$1400

CONFLAT FLANGE



Ø "A" DIM (VIEW)	B	C	D	E	F	PART #	PRICE
.46	.062	.510	.285	.080	1.33	A1858-1-CF	\$190
.59	.062	.600	.500	.100	1.33	A0808-1-CF	\$200
.69	.080	.770	.500	.080	2.75	A0810-1-CF	\$225
.94	.080	1.02	.500	.080	2.75	A0810-2-CF	\$255
1.44	.080	1.52	.500	.13	2.75	A6944-1-CF	\$600
1.44	.080	1.52	.680	.13	4.50	A0810-3-CF	\$600
1.94	.094	2.02	.680	.10	4.50	A0810-4-CF	\$700



VIEWPORTS

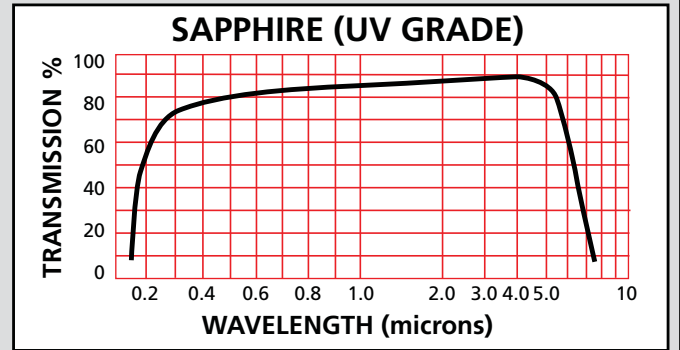
Sapphire

UV SAPPHIRE

Leak Rate: 2×10^{-10} atm cc/sec He
 Parallelism: <math>< 3</math> Arc Minutes
 Flange Material: 304/316 Stn. Stl.
 Surface Finish: 50/20
 Thermal Range: -100°C to 450°C
 Material: Sapphire
 UV Transmission: 50% @ 250nm (external)
 Orientation: 0-90°
 Pressure: Contact MPF Engineering

Operating Conditions

The thermal ratings specified are safe operating limits determined by various factors including material properties, mechanical design, and the intended operating environment. Temperature ratings for various mounting options may reduce the operating range of a window assembly. All assemblies have a maximum thermal gradient of 25°C per minute and may be damaged if this limit is exceeded.



QUICK FLANGE

FIGURE 1

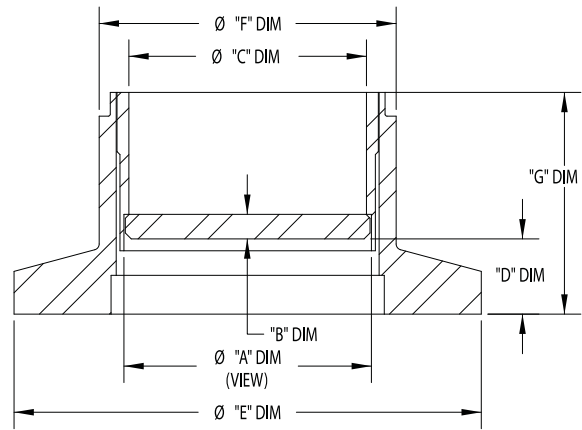
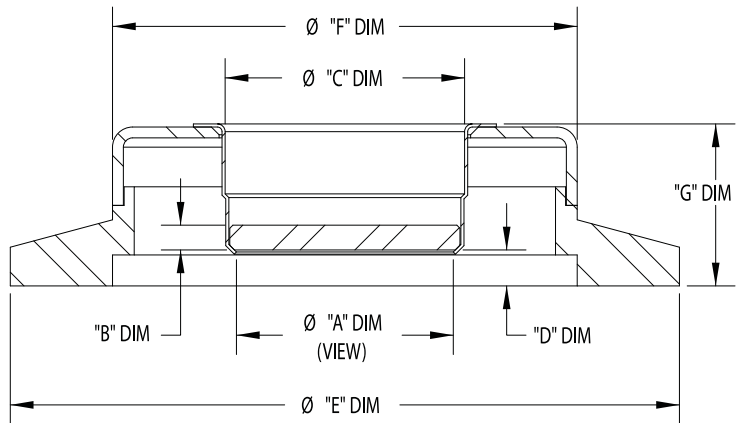
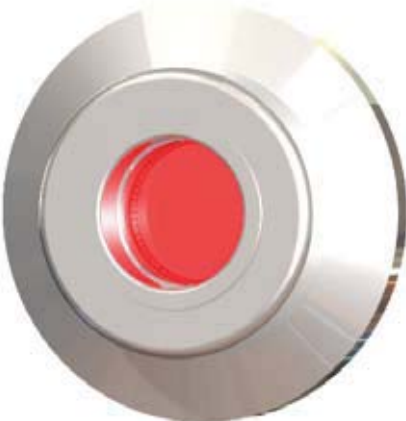


FIGURE 2



GRADE	FIG NO.	Ø "A" DIM (VIEW)	B	C	D	E	F	G	PART #	PRICE
UV	1	.59	.062	.600	.13	1.18	.750	.56	A0813-1-QF	\$200
UV	2	.69	.080	.770	.13	2.16	1.50	.52	A0814-1-QF	\$225
UV	2	.94	.080	1.02	.13	2.16	1.50	.52	A0814-2-QF	\$250
UV	2	.94	.080	1.02	.13	2.95	2.00	.52	A1641-1-QF	\$255

VIEWPORTS

Sapphire



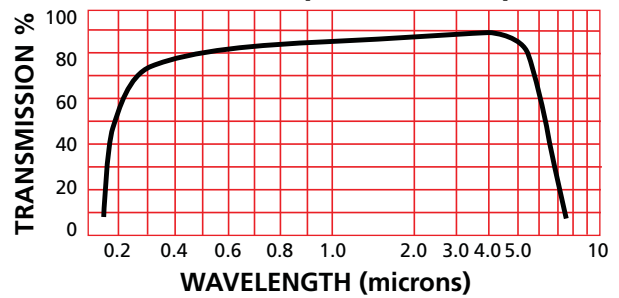
DUV SAPPHIRE

Leak Rate: 2×10^{-10} atm cc/sec He
 Parallelism: <math>< 3</math> Arc Minutes
 Flange Material: 304/316 Stn. Stl.
 Surface Finish: 20/10
 Thermal Range: -100°C to 450°C
 Material: Sapphire
 UV Transmission: 70% @ 250nm (external)
 Orientation: 0°
 Pressure: Contact MPF Engineering

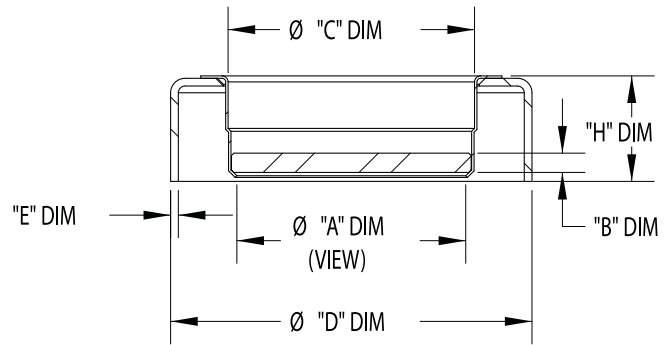
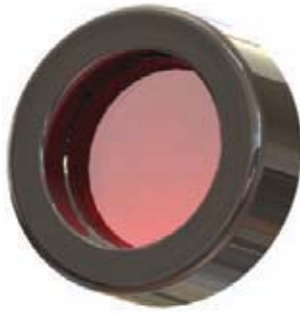
Operating Conditions

The thermal ratings specified are safe operating limits determined by various factors including material properties, mechanical design, and the intended operating environment. Temperature ratings for various mounting options may reduce the operating range of a window assembly. All assemblies have a maximum thermal gradient of 25°C per minute and may be damaged if this limit is exceeded.

SAPPHIRE (DUV GRADE)

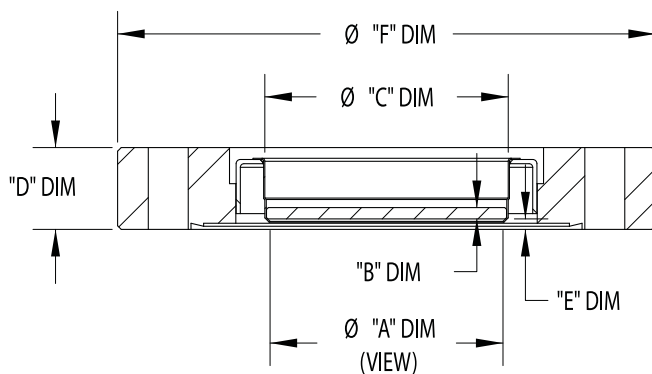


WELDABLE



ADAPTER	Ø "A" DIM (VIEW)	B	C	D	E	H	PART #	PRICE
STN. STL.	.69	.080	.77	1.500	.030	.44	A8006-1-W	\$280
STN. STL.	.94	.080	1.02	1.500	.030	.44	A8006-2-W	\$315
STN. STL.	1.44	.080	1.52	2.500	.030	.49	A8006-3-W	\$730
STN. STL.	1.94	.094	2.02	2.500	.030	.54	A8006-4-W	\$825

CONFLAT FLANGE



Ø "A" DIM (VIEW)	B	C	D	E	F	PART #	PRICE
.69	.080	.770	.500	.080	2.75	A8007-1-CF	\$295
.94	.080	1.02	.500	.080	2.75	A8007-2-CF	\$335
1.44	.080	1.52	.680	.13	4.50	A8007-3-CF	\$810
1.94	.094	2.02	.680	.10	4.50	A8007-4-CF	\$975



VIEWPORTS

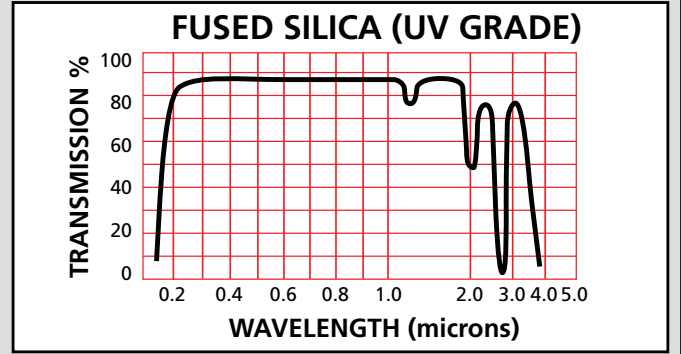
Fused Silica

UV FUSED SILICA

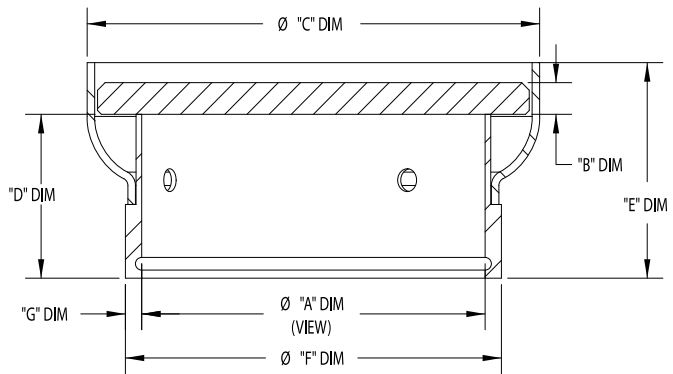
Leak Rate: <math><2 \times 10^{-10}</math> atm cc/sec He
 Parallelism: <math><30</math> Arc Minutes
 Flange Material: 304/316 Stn. Stl.
 Surface Finish: 40/20
 Thermal Range: -100°C to 200°C
 Material: Corning HPFS 7980 Fused Silica
 Transmission: >90% @ 250nm (external)
 Homogeneity Grade: F
 Inclusion Class: 2

Operating Conditions

The thermal ratings specified are safe operating limits determined by various factors including material properties, mechanical design, and the intended operating environment. Temperature ratings for various mounting options may reduce the operating range of a window assembly. All assemblies have a maximum thermal gradient of 25°C per minute and may be damaged if this limit is exceeded.

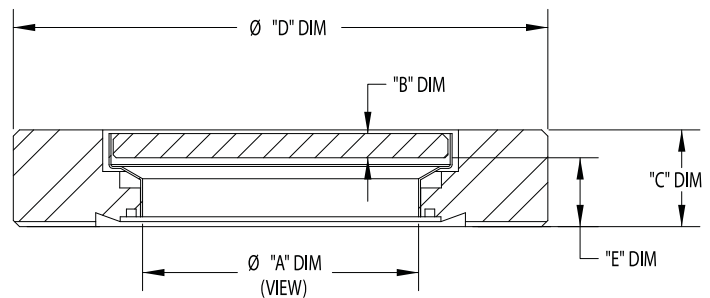
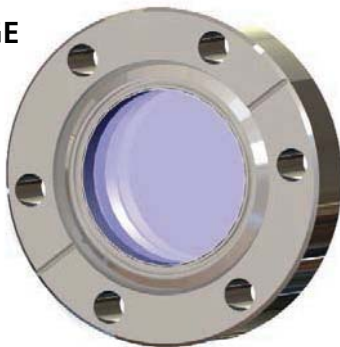


WELDABLE



Ø "A" DIM (VIEW)	B	C	D	E	F	G	PART #	PRICE
1.37	.13	1.76	.68	.85	1.500	.065	A0657-11-W	\$240
2.37	.25	2.88	.79	1.10	2.500	.065	A0657-12-W	\$475
3.84	.25	4.41	1.01	1.30	4.500	.085	A0657-13-W	\$700

CONFLAT FLANGE



NOM. SIZE	Ø "A" DIM (VIEW)	B	C	D	E	PART #	PRICE
3/4"	.63	.10	.29	1.33	.17	A1671-1-CF	\$180
1 1/2"	1.40	.13	.50	2.75	.35	A0651-1-CF	\$200
1 1/2"	1.40	.13	.62	3.37	.35	A0651-2-CF	\$220
2 1/2"	2.69	.25	.68	4.50	.41	A0651-3-CF	\$650
2 1/2"	2.69	.25	.75	4.62	.41	A0651-4-CF	\$665
4"	3.88	.25	.78	6.00	.51	A0651-5-CF	\$800
4"	3.88	.25	.84	6.75	.51	A0651-6-CF	\$850
6"	5.38	.37	.88	8.00	.48	A0651-7-CF	\$1950
8"	7.78	.37	.97	10.00	.53	A0651-8-CF	\$2500

VIEWPORTS

Fused Silica



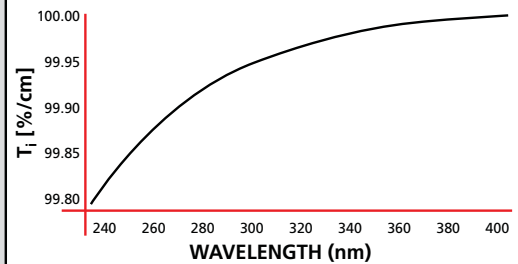
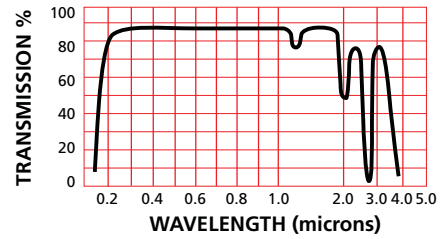
DUV FUSED SILICA (LASER QUALITY)

Leak Rate: <math><2 \times 10^{-10}</math> atm cc/sec He
 Parallelism: <math><10</math> Arc Seconds
 Flange Material: 304/316 Stn. Stl.
 Flatness: $\lambda/4$ @ 632nm Transmitted Wavefront
 Surface Finish: 20/10
 Thermal Range: -100°C to 200°C
 Material: Corning HPFS 7980 Fused Silica
 Transmission: $\geq 99.8\%$ @ 248nm (internal)
 Homogeneity Grade: A
 Inclusion Class: 0

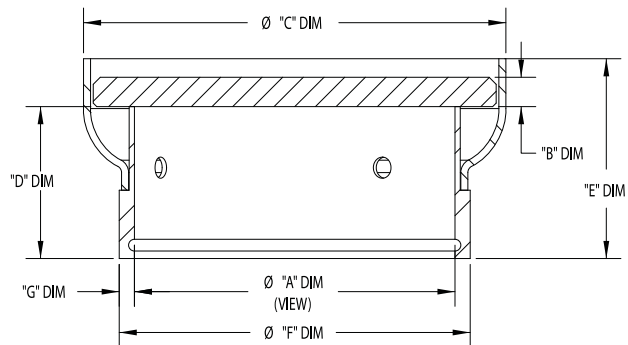
Operating Conditions

The thermal ratings specified are safe operating limits determined by various factors including material properties, mechanical design, and the intended operating environment. Temperature ratings for various mounting options may reduce the operating range of a window assembly. All assemblies have a maximum thermal gradient of 25°C per minute and may be damaged if this limit is exceeded.

FUSED SILICA (DUV GRADE)

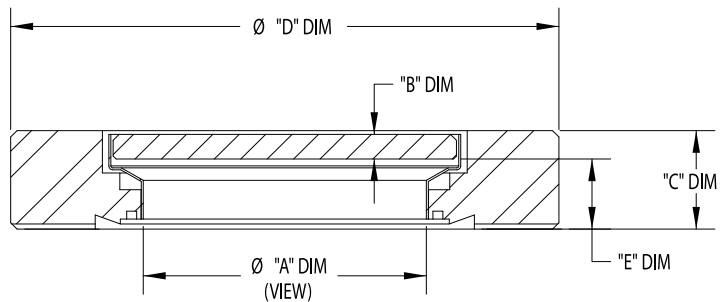


WELDABLE



Ø "A" DIM (VIEW)	B	C	D	E	F	G	PART #	PRICE
1.37	.13	1.76	.68	.85	1.500	.065	A0657-6-W	\$390
2.37	.25	2.88	.79	1.10	2.500	.065	A0657-7-W	\$950
3.84	.25	4.41	1.01	1.30	4.500	.085	A0657-8-W	\$1350

CONFLAT FLANGE



NOM. SIZE	Ø "A" DIM (VIEW)	B	C	D	E	PART #	PRICE
3/4"	.63	.10	.29	1.33	.17	A1671-2-CF	\$305
1 1/2"	1.40	.13	.50	2.75	.35	A0650-1-CF	\$350
1 1/2"	1.40	.13	.62	3.37	.35	A0650-2-CF	\$400
2 1/2"	2.69	.25	.68	4.50	.41	A0650-3-CF	\$950
2 1/2"	2.69	.25	.75	4.62	.41	A0650-4-CF	\$1025
4"	3.88	.25	.78	6.00	.51	A0650-5-CF	\$1350



VIEWPORTS

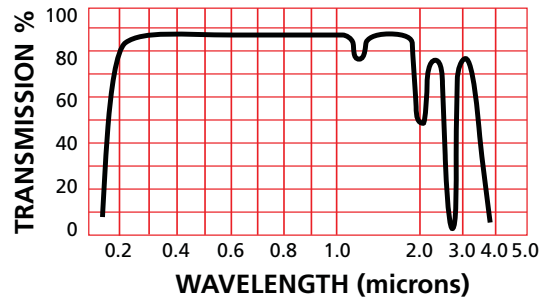
Fused Silica

UV FUSED SILICA

Leak Rate: <math><2 \times 10^{-10}</math> atm cc/sec He
 Parallelism: <math><30</math> Arc Minutes
 Flange Material: 304/316 Stn. Stl.
 Surface Finish: 40/20
 Thermal Range: -100°C to 200°C
 Material: Corning HPFS 7980 Fused Silica
 Transmission: >90% @ 250nm (external)
 Homogeneity Grade: F
 Inclusion Class: 2

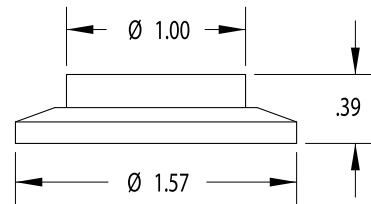
Operating Conditions
 The thermal ratings specified are safe operating limits determined by various factors including material properties, mechanical design, and the intended operating environment. Temperature ratings for various mounting options may reduce the operating range of a window assembly. All assemblies have a maximum thermal gradient of 25°C per minute and may be damaged if this limit is exceeded.

FUSED SILICA (UV GRADE)

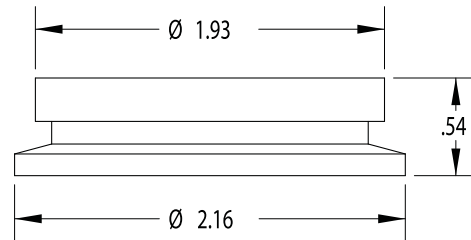


*See page 9 for DUV information.

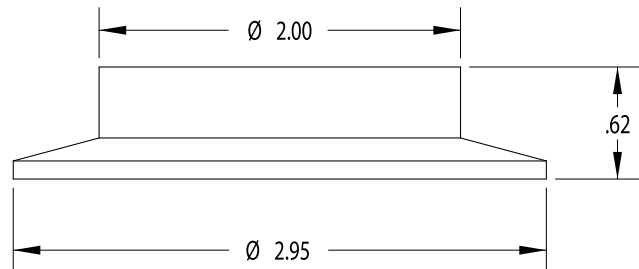
QUICK FLANGE



TYPE	NOM. SIZE	VIEW DIAMETER	FLANGE	PART #	PRICE
UV Grade	5/8"	.63	QF-25	A4563-1-QF	\$205
*DUV Grade - Laser Quality	5/8"	.63	QF-25	A4563-2-QF	\$355



TYPE	NOM. SIZE	VIEW DIAMETER	FLANGE	PART #	PRICE
UV Grade	1 1/2"	1.40	QF-40	A2206-1-QF	\$205
*DUV Grade - Laser Quality	1 1/2"	1.40	QF-40	A2206-2-QF	\$355



TYPE	NOM. SIZE	VIEW DIAMETER	FLANGE	PART #	PRICE
UV Grade	1 1/2"	1.40	QF-50	A0816-1-QF	\$250
*DUV Grade - Laser Quality	1 1/2"	1.40	QF-50	A0816-2-QF	\$400

VIEWPORTS

Fused Silica



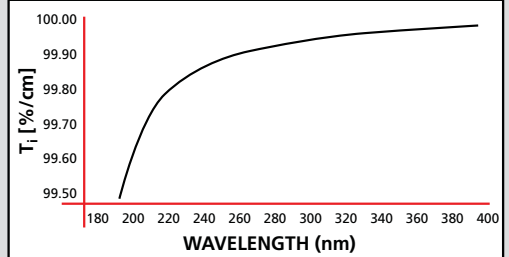
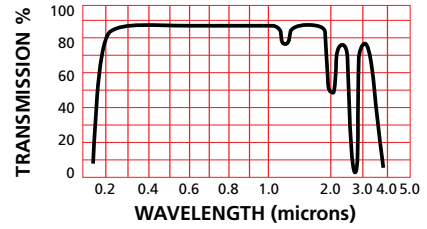
EUV FUSED SILICA (EXCIMER GRADE)

Leak Rate: <math><2 \times 10^{-10}</math> atm cc/sec He
 Parallelism: <math><10</math> Arc Seconds
 Flange Material: 304/316 Stn. Stl.
 Flatness: $\lambda/4$ @ 632nm Transmitted Wavefront
 Surface Finish: 20/10
 Thermal Range: -100°C to 200°C
 Material: Corning HPFS 7980 Excimer Grade 193 Fused Silica
 Transmission: $\geq 99.5\%$ @ 193nm (internal)
 Homogeneity Grade: A
 Inclusion Class: 0

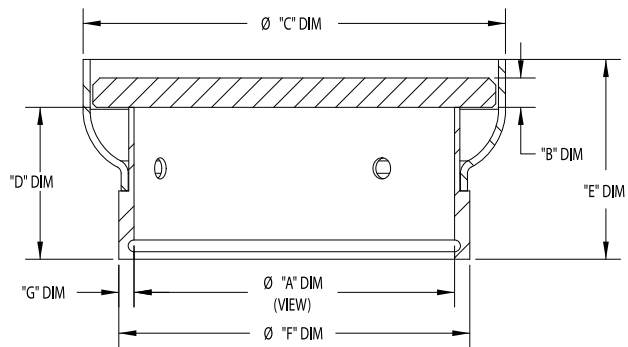
Operating Conditions

The thermal ratings specified are safe operating limits determined by various factors including material properties, mechanical design, and the intended operating environment. Temperature ratings for various mounting options may reduce the operating range of a window assembly. All assemblies have a maximum thermal gradient of 25°C per minute and may be damaged if this limit is exceeded.

FUSED SILICA (EUV GRADE)

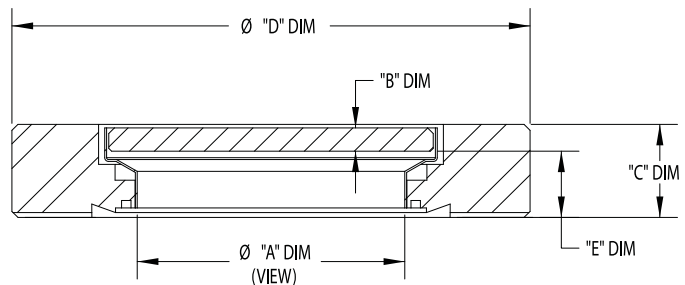


WELDABLE



Ø "A" DIM (VIEW)	B	C	D	E	F	G	PART #	PRICE
1.37	.13	1.76	.68	.85	1.500	.065	A0657-16-W	\$610
2.37	.25	2.88	.79	1.10	2.500	.065	A0657-17-W	\$1410

CONFLAT FLANGE



NOM. SIZE	Ø "A" DIM (VIEW)	B	C	D	E	PART #	PRICE
1 1/2"	1.40	.13	.50	2.75	.35	A0652-1-CF	\$650
2 1/2"	2.69	.25	.68	4.50	.41	A0652-3-CF	\$1450



VIEWPORTS

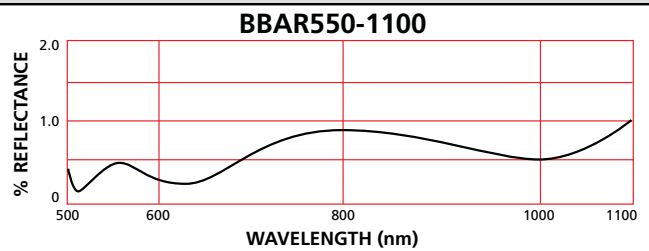
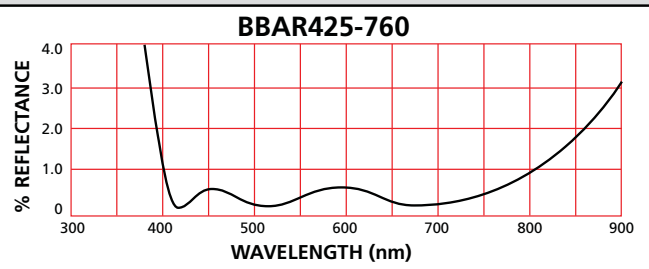
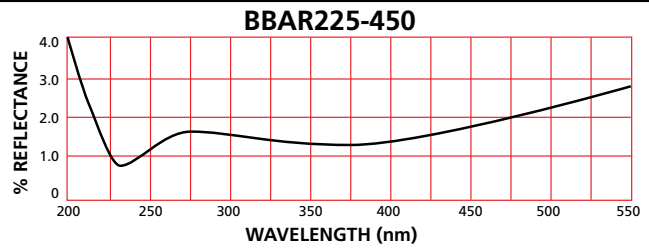
BBAR Coated Fused Silica

BBAR COATED FUSED SILICA

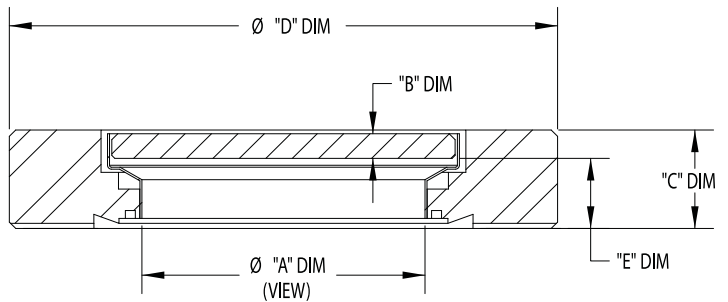
Leak Rate: <math><2 \times 10^{-10}</math> atm cc/sec He
 Parallelism: <math><10</math> Arc Seconds
 Flange Material: 304/316 Stn. Stl.
 Flatness: $\lambda/4$ @ 632nm Transmitted Wavefront
 Surface Finish: 20/10
 Thermal Range: -100°C to 200°C
 Material: Corning HPFS 7980 Fused Silica
 Homogeneity Grade: A
 Inclusion Class: 0

Operating Conditions

The thermal ratings specified are safe operating limits determined by various factors including material properties, mechanical design, and the intended operating environment. Temperature ratings for various mounting options may reduce the operating range of a window assembly. All assemblies have a maximum thermal gradient of 25°C per minute and may be damaged if this limit is exceeded.



CONFLAT FLANGE



TYPE	Ø "A" DIM (VIEW)	B	C	D	E	PART #	PRICE
225-450nm	1.40	.13	.50	2.75	.35	A8000-1-CF	\$695
225-450nm	2.69	.25	.68	4.50	.41	A8001-1-CF	\$1245
425-760nm	1.40	.13	.50	2.75	.35	A8002-1-CF	\$695
425-760nm	2.69	.25	.68	4.50	.41	A8003-1-CF	\$1245
550-1100nm	1.40	.13	.50	2.75	.35	A8004-1-CF	\$695
550-1100nm	2.69	.25	.68	4.50	.41	A8005-1-CF	\$1245

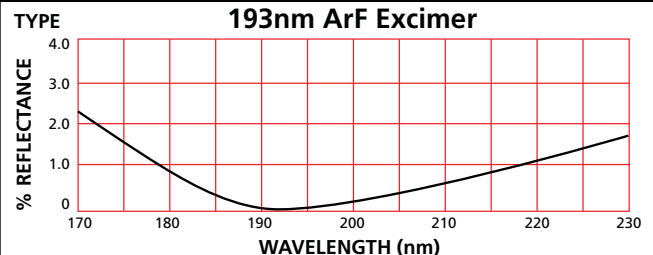
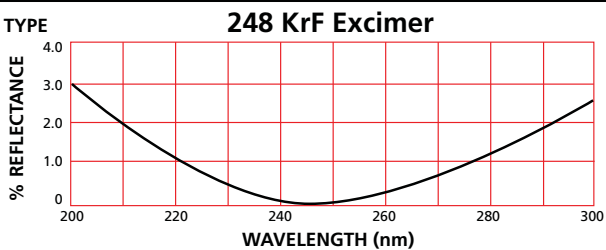
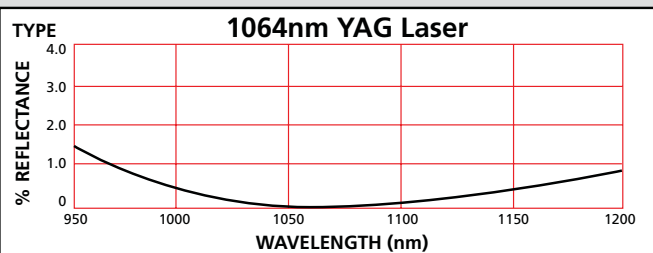
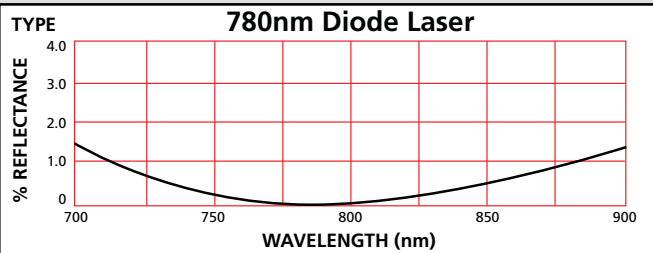


LASER OPTICS

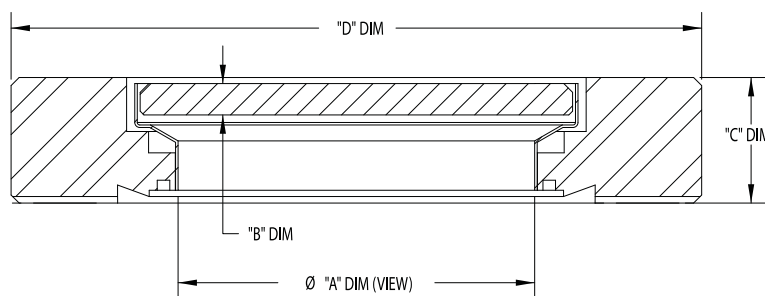
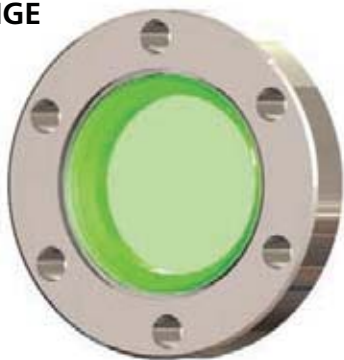
Leak Rate: <math> < 2 \times 10^{-10}</math> atm cc/sec He
 Parallelism: <math> < 10</math> Arc Seconds
 Flange Material: 304/316 Stn. Stl.
 Flatness: $\lambda/4$ @ 632nm Transmitted Wavefront
 Surface Finish: 20/10
 Thermal Range: -100°C to 200°C
 Material: Corning HPFS 7980 Fused Silica
 Homogeneity Grade: A
 Inclusion Class: 0
 Laser Damage Threshold:
 780nm Diode Laser: 10 J/cm² for 10 ns Pulse
 1064nm YAG Laser: 10 J/cm² for 10 ns Pulse
 193nm ArF Excimer: 1 J/cm² for 10 ns Pulse
 248nm KrF Excimer: 10 J/cm² for 10 ns Pulse

Operating Conditions

The thermal ratings specified are safe operating limits determined by various factors including material properties, mechanical design, and the intended operating environment. Temperature ratings for various mounting options may reduce the operating range of a window assembly. All assemblies have a maximum thermal gradient of 25°C per minute and may be damaged if this limit is exceeded.



CONFLAT FLANGE



TYPE	COATING	Ø "A" DIM (VIEW)	B	C	D	PART #	PRICE
780nm Diode Laser	V-Coat 780nm R<0.25%	1.4	.125	.500	2.75	A4546-1-CF	\$695
780nm Diode Laser	V-Coat 780nm R<0.25%	2.69	.125	.500	4.5	A5802-1-CF	\$1245
1064nm YAG Laser	V-Coat 1064nm R<0.25%	1.4	.125	.500	2.75	A4545-1-CF	\$695
1064nm YAG Laser	V-Coat 1064nm R<0.25%	2.69	.125	.500	4.5	A5803-1-CF	\$1245
193nm ArF Excimer	V-Coat 193nm R<0.25%	1.4	.125	.500	2.75	A4548-1-CF	\$795
193nm ArF Excimer	V-Coat 193nm R<0.25%	2.69	.125	.500	4.5	A5800-1-CF	\$1345
248 KrF Excimer	V-Coat 248nm R<0.25%	1.4	.125	.500	2.75	A4547-1-CF	\$695
248 KrF Excimer	V-Coat 248nm R<0.25%	2.69	.125	.500	4.5	A5801-1-CF	\$1245



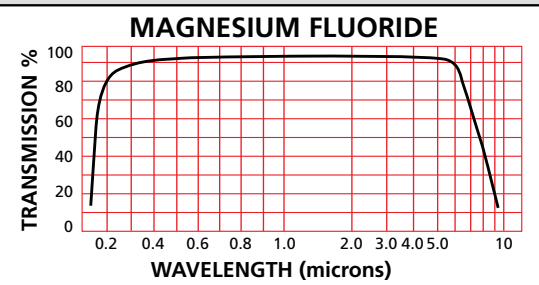
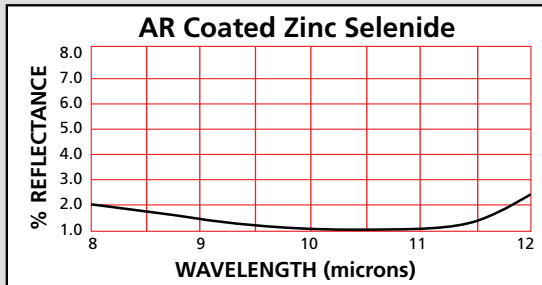
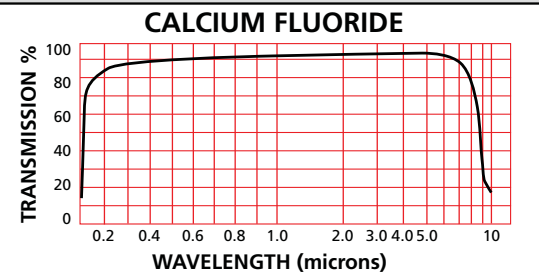
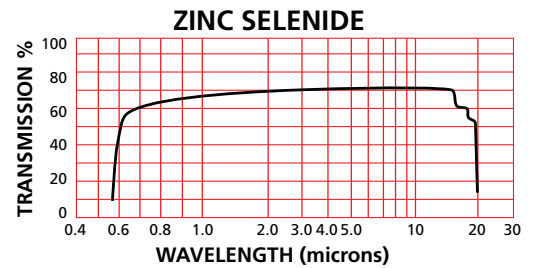
VIEWPORTS

Extended Range Optics

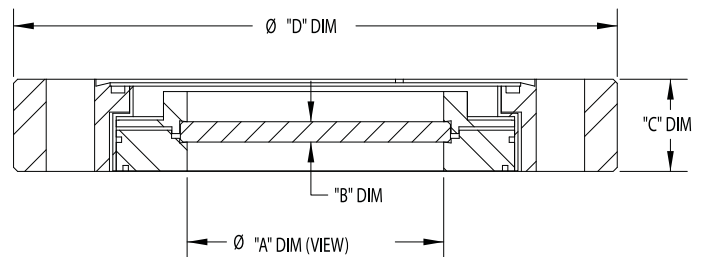
EXTENDED RANGE OPTICS

Leak Rate: <math><2 \times 10^{-10}</math> atm cc/sec He
 Parallelism: <math><3</math> Arc Minutes
 Flange Material: 304/316 Stn. Stl.
 Flatness:
 Surface Finish:
 Zinc Selenide: 40/20 Scratch/Dig
 Calcium Fluoride: 20/10 Scratch/Dig
 Magnesium Fluoride: 20/10 Scratch/Dig
 AR Coated Zinc Selenide: 40/20 Scratch/Dig
 Thermal Range:
 -100°C to 200°C
 AR Coated Zinc Selenide: -100°C to 150°C

Operating Conditions
 The thermal ratings specified are safe operating limits determined by various factors including material properties, mechanical design, and the intended operating environment. Temperature ratings for various mounting options may reduce the operating range of a window assembly. All assemblies have a maximum thermal gradient of 25°C per minute and may be damaged if this limit is exceeded.

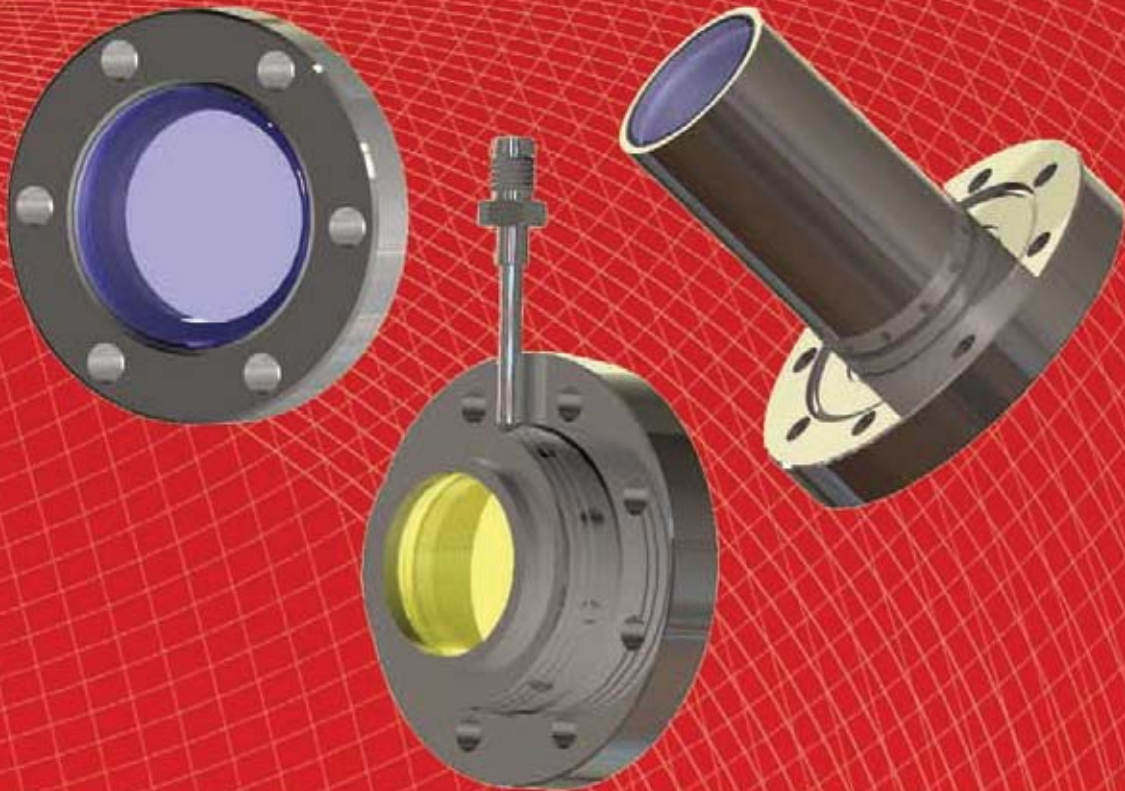


CONFLAT FLANGE



Vacuum Optics – UHV Grade

WINDOW MATERIAL	AR COATED	Ø "A" DIM (VIEW)	B	C	D	PART #	PRICE
Zinc Selenide	-	.90	.098	.500	2.75	A3982-1-CF	\$595
Calcium Fluoride	-	.90	.098	.500	2.75	A4531-1-CF	\$595
Magnesium Fluoride	-	.90	.098	.500	2.75	A4530-1-CF	\$595
AR Coated Zinc Selenide	8 - 12 Microns	.90	.098	.500	2.75	A4539-1-CF	\$795
Zinc Selenide	-	1.88	.150	.680	4.5	A4584-1-CF	\$2350
Calcium Fluoride	-	1.88	.150	.680	4.5	A4594-1-CF	\$1950
Magnesium Fluoride	-	1.88	.150	.680	4.5	A4595-1-CF	\$2350
AR Coated Zinc Selenide	8 - 12 Microns	1.88	.150	.680	4.5	A4297-1-CF	\$3200



MPF Specialized Optics

Differentially Pumped

Specifically designed for extreme high vacuum applications such as Geochronology, MPF's differentially pumped windows employ all-metal, dual-seals having a port that accesses the resulting cavity between the seals. The port can be attached to an auxiliary pump to extend the vacuum range beyond UHV. This design has become the standard for geologists studying argon and helium dating.

Non-Magnetic

For optical applications involving strong magnetic fields or those that are exceedingly sensitive to residual magnetism, MPF offers standard fused silica and extended range viewports made using non-magnetic mounting materials such as 316 LN stainless steel, CP titanium and aluminum.

Re-Entrant

MPF is now offering popular window designs, standard on re-entrant tubing designs. Available in sapphire, fused silica and extended range viewport configurations, these designs are useful for coupling complex lens assemblies such as cameras, telescopes and zoom lenses with applications where reach into a vacuum system is important.



VIEWPORTS

Specialized Optics

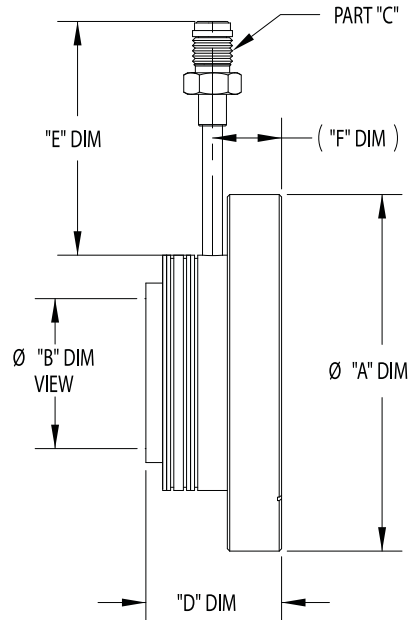
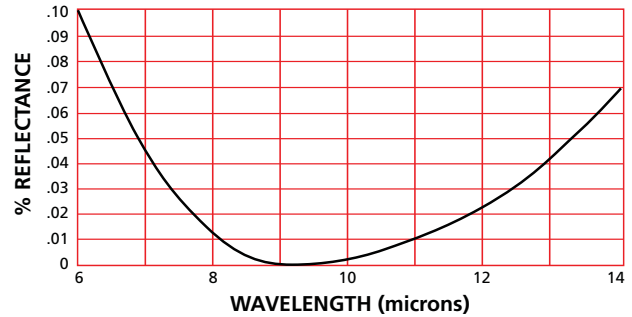
DIFFERENTIALLY PUMPED

Leak Rate: <math><2 \times 10^{-10}</math> atm cc/sec He
 Parallelism: <math><3</math> Arc Minutes
 Flange Material: 304/316 Stn. Stl.
 Flatness:
 Surface Finish: 40/20 Scratch/Dig
 Bake Out Temp: 200°C
 Coating: AR Coated (8-12 Microns)

Operating Conditions

The thermal ratings specified are safe operating limits determined by various factors including material properties, mechanical design, and the intended operating environment. Temperature ratings for various mounting options may reduce the operating range of a window assembly. All assemblies have a maximum thermal gradient of 25°C per minute and may be damaged if this limit is exceeded.

Zinc Sulfide (Cleartran™) 8-12 microns



Ø "A" DIM	Ø "B" DIM (VIEW)	PART "C"	"D" DIM	"E" DIM	"F" DIM	PART #	PRICE
2.75	.93	1/8" Male VCR	.94	1.80	.77	A7845-1-CF	\$1950
2.75	.93	1/8" Female VCR	.94	1.80	.77	A7845-2-CF	\$1950
2.75	.93	1.33" C.F.	.94	1.80	.77	A7845-3-CF	\$1950
2.75	.93	OMIT	.94	1.80	.77	A7845-4-CF	\$1950
4.50	1.88	1/4" Male VCR	1.70	2.90	.87	A4523-1-CF	\$2495
4.50	1.88	1/4" Female VCR	1.70	2.90	.87	A4523-2-CF	\$2495
4.50	1.88	1.33" C.F.	1.70	2.90	.87	A4523-3-CF	\$2495
4.50	1.88	OMIT	1.70	2.90	.87	A4523-4-CF	\$2495

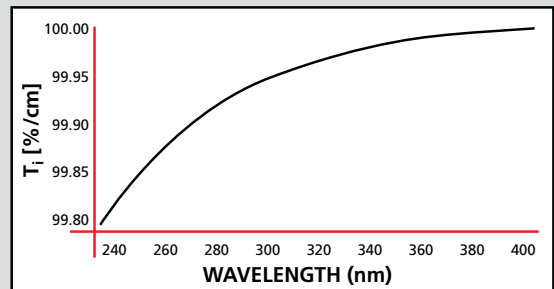
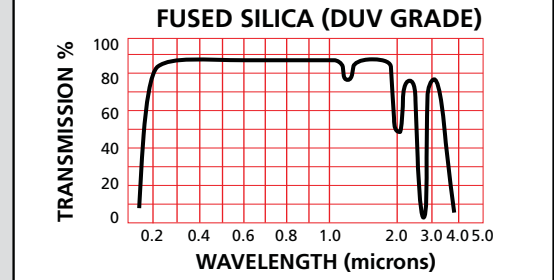


NON-MAGNETIC, FUSED SILICA

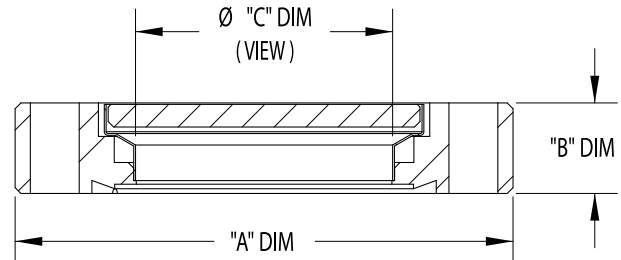
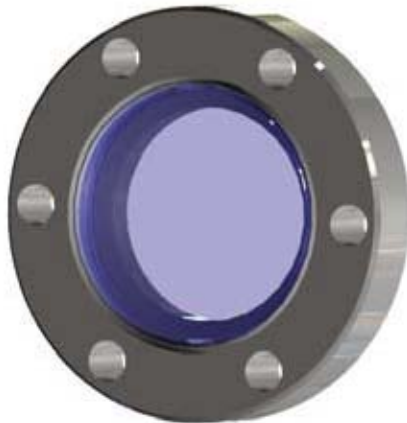
Leak Rate:	<2x10 ⁻¹⁰ atm cc/sec He
Parallelism:	
UV Grade:	<30 Arc Minutes
DUV Grade:	<10 Arc Seconds
Flange Material:	316 LN Stn. Stl.
Flatness:	DUV: $\lambda/4$ @ 632nm Transmitted Wavefront
Surface Finish:	
UV Grade:	40/20
DUV Grade:	20/10
Thermal Range:	-100°C to 200°C
Material:	Corning HPFS 7980 Fused Silica
Transmission:	
UV Grade:	>90% @ 250nm (external)
DUV Grade:	≥99.8% @ 248nm (internal)
Homogeneity Grade:	
UV Grade:	F
DUV Grade:	A
Inclusion Class:	
UV Grade:	2
DUV Grade:	0

Operating Conditions

The thermal ratings specified are safe operating limits determined by various factors including material properties, mechanical design, and the intended operating environment. Temperature ratings for various mounting options may reduce the operating range of a window assembly. All assemblies have a maximum thermal gradient of 25°C per minute and may be damaged if this limit is exceeded.



CONFLAT FLANGE



Non-Magnetic

SLEEVE	FLANGE	GRADE	Ø "A" DIM	"B" DIM	Ø "C" DIM (VIEW)	PART #	PRICE
Titanium	316LN STN. STL.	UV	1.33	.35	.63	A7154-1-CF	\$480
Titanium	316LN STN. STL.	UV	2.75	.50	1.40	A7981-1-CF	\$575
Titanium	316LN STN. STL.	UV	4.50	.68	2.69	A8711-1-CF	\$1425
Titanium	316LN STN. STL.	DUV	1.33	.35	.63	A7154-2-CF	\$590
Titanium	316LN STN. STL.	DUV	2.75	.50	1.40	A7981-2-CF	\$710
Titanium	316LN STN. STL.	DUV	4.50	.68	2.69	A8711-2-CF	\$1710



VIEWPORTS

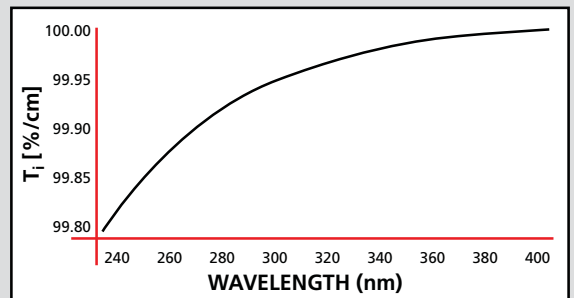
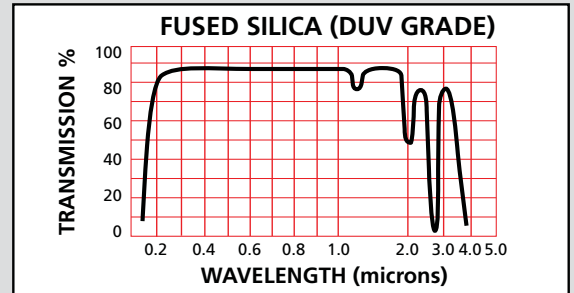
Specialized Optics

RE-ENTRANT, FUSED SILICA

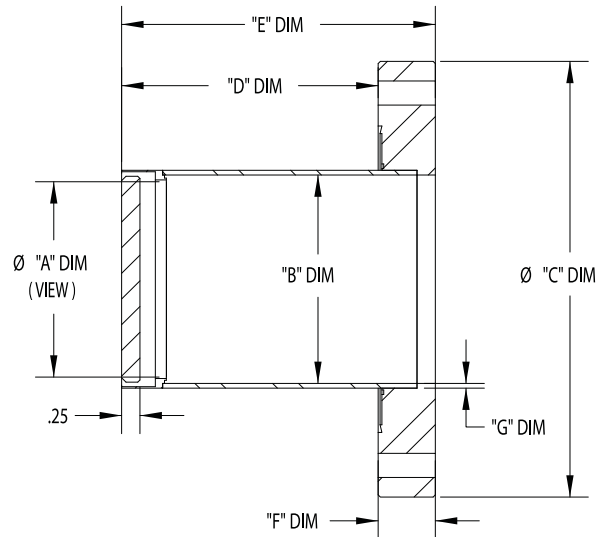
Leak Rate:	<2x10 ⁻¹⁰ atm cc/sec He
Parallelism:	
UV Grade:	<30 Arc Minutes
DUV Grade:	<10 Arc Seconds
Flange Material:	304/316 Stn. Stl.
Flatness:	DUV: λ/4 @ 632nm Transmitted Wavefront
Surface Finish:	
UV Grade:	40/20
DUV Grade:	20/10
Thermal Range:	-100°C to 200°C
Material:	Corning HPFS 7980 Fused Silica
Transmission:	
UV Grade:	>90% @ 250nm (external)
DUV Grade:	≥99.8% @ 248nm (internal)
Homogeneity Grade:	
UV Grade:	F
DUV Grade:	A
Inclusion Class:	
UV Grade:	2
DUV Grade:	0

Operating Conditions

The thermal ratings specified are safe operating limits determined by various factors including material properties, mechanical design, and the intended operating environment. Temperature ratings for various mounting options may reduce the operating range of a window assembly. All assemblies have a maximum thermal gradient of 25°C per minute and may be damaged if this limit is exceeded.



CONFLAT FLANGE



Re-Entrant

GRADE	Ø "A" DIM (VIEW)	Ø "B" DIM	Ø "C" DIM	"D" DIM	"E" DIM	"F" DIM	"G" DIM	PART #	PRICE
UV	1.40	1.90	4.50 C.F.	3.50	4.18	.68	.05	A6665-1-CF	\$700
UV	2.69	2.87	6.00 C.F.	3.50	4.28	.78	.07	A6667-1-CF	\$1150
DUV	1.40	1.90	4.50 C.F.	3.50	4.18	.68	.05	A6665-2-CF	\$850
DUV	2.69	2.87	6.00 C.F.	3.50	4.28	.78	.07	A6667-2-CF	\$1450