

## Key Features

- Protects vacuum pumps from foreign materials
- Select inserts for trapping particles, water, oil, or corrosive chemicals
- Transparent sump shows when to change insert
- Simple to maintain—change inserts without removing from the vacuum system

Sometimes your vacuum pump needs protection from the materials you're pumping, and sometimes your vacuum system needs protection from the pump. The MV VISI@TRAP takes care of both. A transparent sump contains an insert that traps foreign particles and vapors, keeping them from getting where they shouldn't be. The VISI@TRAP traps corrosive chemicals before they can damage the pump. It also traps particles and oil vapors and reduces oil backstreaming.

MV Products offers several interchangeable inserts:

Type	Description
Copper gauze	Large surface area traps condensable particles and oil vapors
Stainless steel gauze	Same as copper gauze, but with added corrosion protection
Molecular sieve	Reduces mechanical pump back-streaming and traps water vapor
Sodasorb®	Minimizes migration of corrosive chemicals and neutralizes acidic vapors
Activated charcoal	Removes organic vapors
PolyPro 20µm	Traps high volumes of solids and particulates as small as 2 microns; available in 3 sizes
PolyPro 5µm	Same as above
PolyPro 20µm	Same as above

## CALL TO ORDER

### Rooks Vac Pte Ltd

Blk 3025 Ubi Road 3, #04-127, Singapore 408653

E-mail: [sales@rooksvac.com](mailto:sales@rooksvac.com)  
Web: [www.rooksvac.com](http://www.rooksvac.com)

**(65) 67499983**



## SPECIFICATIONS

<b>Construction</b>	Polypropylene housing; styrene acrylonitrile sump — polypropylene sump also available
<b>Sump Size</b>	300005: 4.5" (114 mm) 300010: 9.5" (241 mm)
<b>Pump Size</b>	300005: 1-4 CFM (25-100 l/m) 300010: 5-15 CFM (150-500 l/m)
<b>Filters</b>	Stainless steel end caps and screens; Buna-N gaskets
<b>Intake/Exhaust ports</b>	3/4" female pipe thread
<b>Terminations</b>	Hose termination; 25 mm or 40 mm NW flanges (installed if ordered with the trap)
<b>Dimensions</b>	
<b>300005</b>	Diameter: 5.5" (140 mm) Overall height: 13.5" (343 mm) Requires 1.5" space for sump removal
<b>300010</b>	Diameter: 5.5" (140 mm) Overall height: 12.8" (325 mm) Requires 1.5" space for sump removal



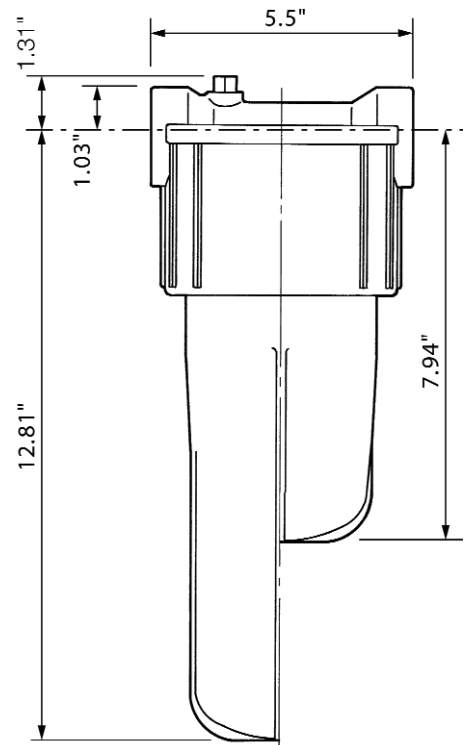
## ORDERING INFORMATION

Description	Part Number 4.5" Size	Part Number 9.5" Size
VISITRAP with sump, cover, and 3/4" female pipe thread connections. Does not include filter element.	300005	300010
VISITRAP (above) with copper gauze filter element	300105	300100
with stainless steel gauze filter element	300205	300200
with molecular sieve filter element	300305	300300
with Sodasorb® filter element	300405	300400
with activated charcoal filter element	300505	300500
with PolyPro 2 filter element	300615	300610
with PolyPro 5 filter element	300625	300620
with PolyPro 20 filter element	300635	300630
Replacement sump only	300725	300720
Replacement filter elements (Quantity discounts for ten or more)	Refer to chart below for part numbers	
<b>Terminations:</b> (Two are required— if ordered with VisiTrap, they will be factory installed)		
Hose termination 3/4"	301075	301075
NW 25 x 3/4"	301025	301025
NW 40 x 3/4"	301040	301040

Accessories:	Part Number 4.5" Size	Part Number 9.5" Size
Dial gauge (0-30" Hg)	301200	301200
Vent valve	301300	301300
Dial gauge and vent valve reassembled	301400	301400

Filter Media	Part Number 4.5" Size	Part Number 9.5" Size
Copper gauze	300905	300900
Stainless steel gauze	300915	300910
Molecular sieve	300925	300920
Sodasorb®	300935	300930
Activated charcoal	300945	300940
PolyPro 2µm	400925	400920
PolyPro 5µm	400935	400930
PolyPro 20µm	400945	400940

### Installation Drawing



Also visit us on the web at:  
[www.massvac.com](http://www.massvac.com)

# APPLICATIONS WITH VISITRAP



VACUUM OVEN



FREEZE DRYER



SCHLENK LINE

